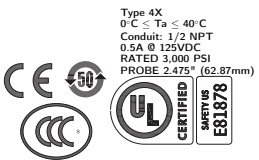
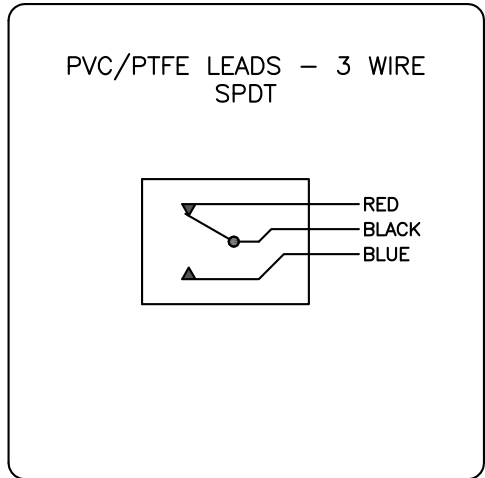




7FG643758-A2

GO™ Switch 70 Series STG

Model	2.475" probe length
Contact Form	SPDT, no indication
Sensing Range	0.090" end sensing
Outlet Position	Side entry, 1/2" NPT conduit
Enclosure Material	Stainless steel, 3000 PSI
Area Classification	UL General Purpose
Wiring Option	PVC Lead Wires - 3ft
Custom Field	



Type 4X
 0°C ≤ Ta ≤ 40°C
 Conduit: 1/2 NPT
 0.5A @ 125VDC
 RATED 3,000 PSI
 PROBE 2.475" (62.87mm)



Electrol
www.electrosupply.com
sales@electrosupply.com
 1-800-663-6576