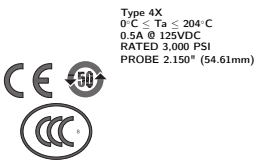
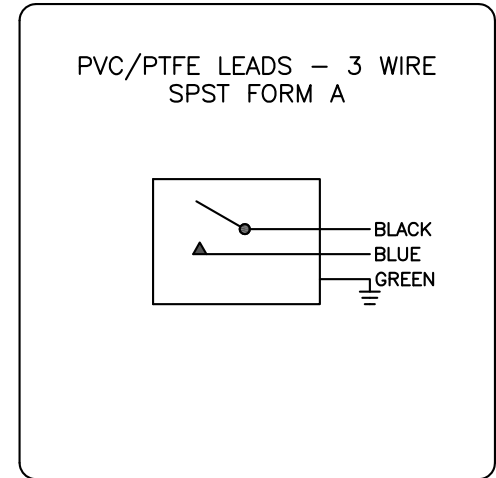


7FF273252-F3

GO™ Switch 70 Series STG

Model	2.15" probe length
Contact Form	SPST, form A, no indication
Sensing Range	0.090" end sensing
Outlet Position	Side entry, no conduit hub
Enclosure Material	Stainless steel, 3000 PSI
Area Classification	HiTemp, 400F
Wiring Option	Teflon leads, 6ft
Custom Field	



Type 4X  
 0°C ≤ Ta ≤ 204°C  
 0.5A @ 125VDC  
 RATED 3,000 PSI  
 PROBE 2.150" (54.61mm)



**Electrol** [www.electrosupply.com](http://www.electrosupply.com)  
[sales@electrosupply.com](mailto:sales@electrosupply.com)  
 1-800-663-6576