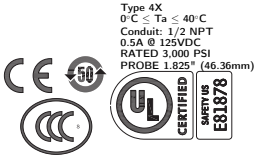
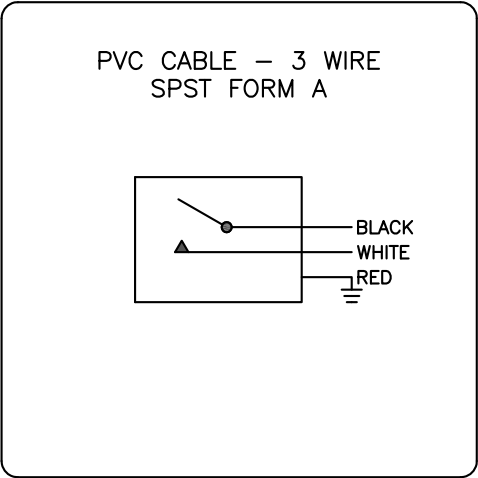
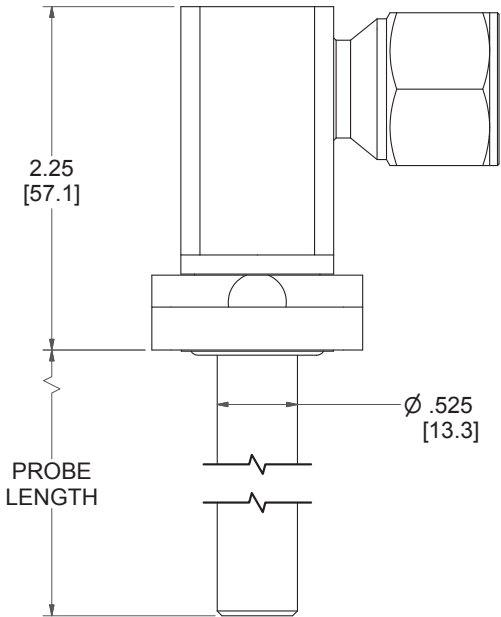
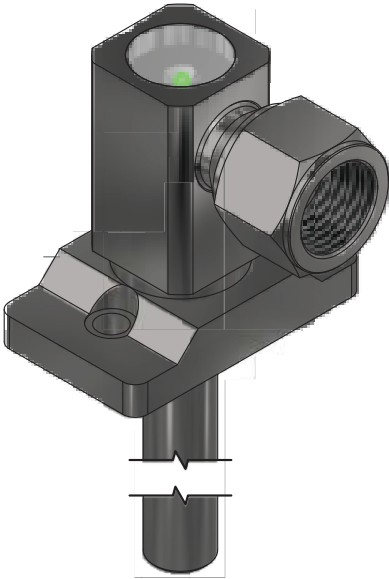
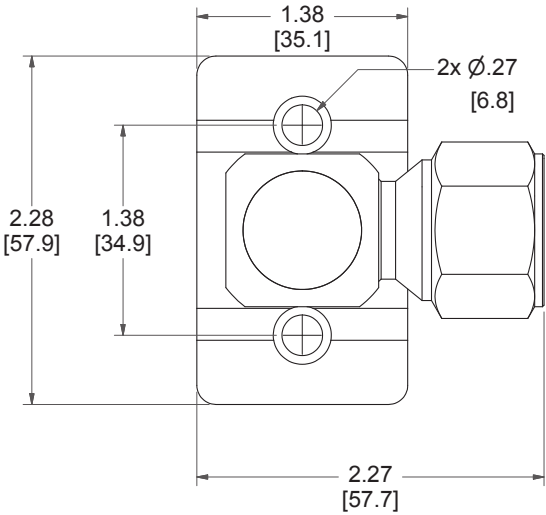


7FD723758-B4

GO™ Switch 70 Series STG

Model	1.825" probe length
Contact Form	SPST, form A, bi-color LED indication
Sensing Range	0.090" end sensing
Outlet Position	Side entry, 1/2" NPT conduit
Enclosure Material	Stainless steel, 3000 PSI
Area Classification	UL General Purpose
Wiring Option	PVC Cable - 12ft
Custom Field	



www.electrosupply.com
sales@electrosupply.com
1-800-663-6576