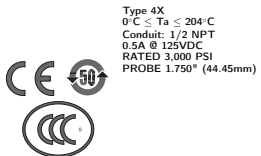
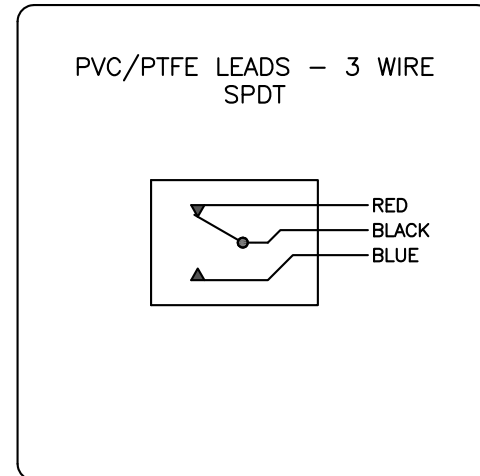


7FD443752-F3

GO™ Switch 70 Series STG

Model	1.750" probe length
Contact Form	SPDT, no indication
Sensing Range	0.090" end sensing
Outlet Position	Side entry, 1/2" NPT conduit
Enclosure Material	Stainless steel, 3000 PSI
Area Classification	HiTemp, 400F
Wiring Option	Teflon leads, 6ft
Custom Field	



Type 4X  
 0°C ≤ Ta ≤ 204°C  
 Conduit: 1/2 NPT  
 0.5A @ 125VDC  
 RATED 3,000 PSI  
 PROBE 1.750" (44.45mm)



www.electrosupply.com  
 sales@electrosupply.com  
 1-800-663-6576