



**MODEL NUMBER**

7FA643758-B6

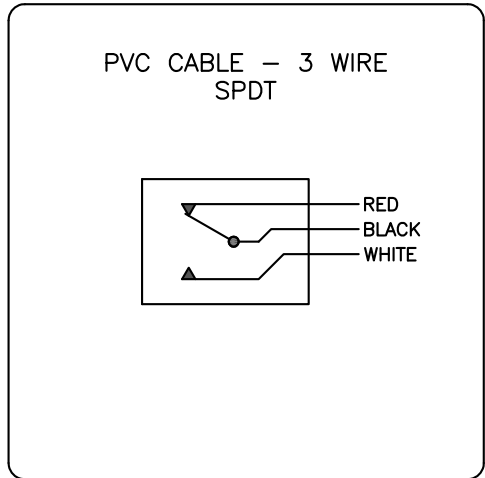
**PRODUCT LINE**

GO™ Switch 70 Series STG

**SPECIFICATIONS**

|                     |                              |
|---------------------|------------------------------|
| Model               | 1.125" probe length          |
| Contact Form        | SPDT, no indication          |
| Sensing Range       | 0.090" end sensing           |
| Outlet Position     | Side entry, 1/2" NPT conduit |
| Enclosure Material  | Stainless steel, 3000 PSI    |
| Area Classification | UL General Purpose           |
| Wiring Option       | PVC Cable - 50ft             |
| Custom Field        |                              |

**WIRING DIAGRAM**



**NAMEPLATE**

Type 4X  
 0°C ≤ Ta ≤ 40°C  
 Conduit: 1/2 NPT  
 0.5A @ 125VDC  
 RATED 3,000 PSI  
 PROBE 1.125" (28.58mm)



[www.electrosupply.com](http://www.electrosupply.com)  
[sales@electrosupply.com](mailto:sales@electrosupply.com)  
 1-800-663-6576