



**MODEL NUMBER**

7FA643758-B4

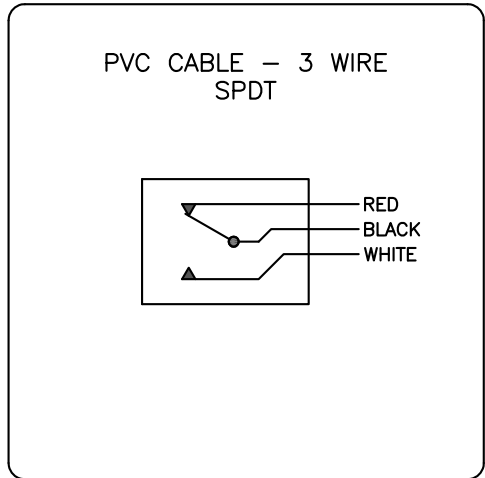
**PRODUCT LINE**

GO™ Switch 70 Series STG

**SPECIFICATIONS**

Model	1.125" probe length
Contact Form	SPDT, no indication
Sensing Range	0.090" end sensing
Outlet Position	Side entry, 1/2" NPT conduit
Enclosure Material	Stainless steel, 3000 PSI
Area Classification	UL General Purpose
Wiring Option	PVC Cable - 12ft
Custom Field	

**WIRING DIAGRAM**



**NAMEPLATE**

Type 4X  
 0°C ≤ Ta ≤ 40°C  
 Conduit: 1/2 NPT  
 0.5A @ 125VDC  
 RATED 3,000 PSI  
 PROBE 1.125" (28.58mm)



www.electrosupply.com  
 sales@electrosupply.com  
 1-800-663-6576