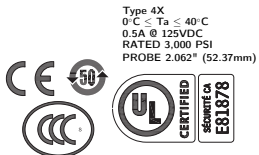
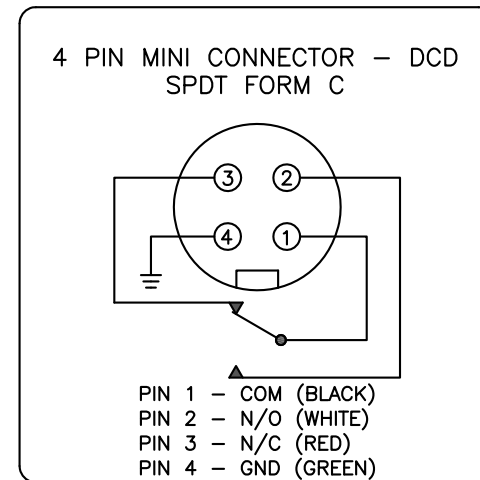


7E-43657-DCD

GO™ Switch 70 Series STG

Model	2.062" probe length
Contact Form	SPDT, no indication
Sensing Range	0.090" end sensing
Outlet Position	Side entry, for QDC
Enclosure Material	Stainless steel, 3000 PSI
Area Classification	cUL General Purpose
Wiring Option	QDC, mini, 4 pin
Custom Field	



www.electrosupply.com
sales@electrosupply.com
1-800-663-6576