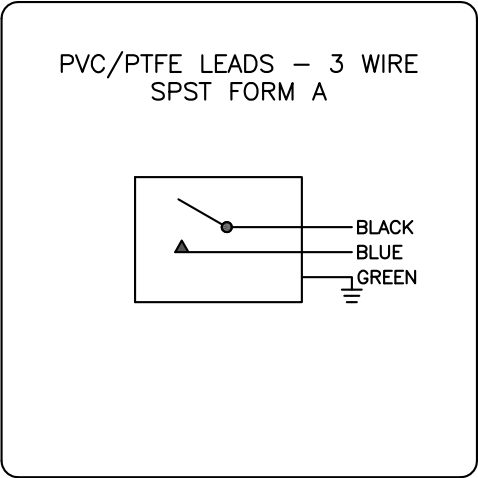
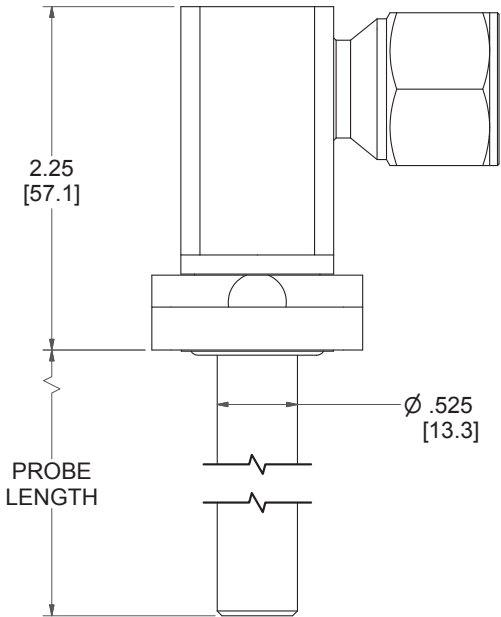
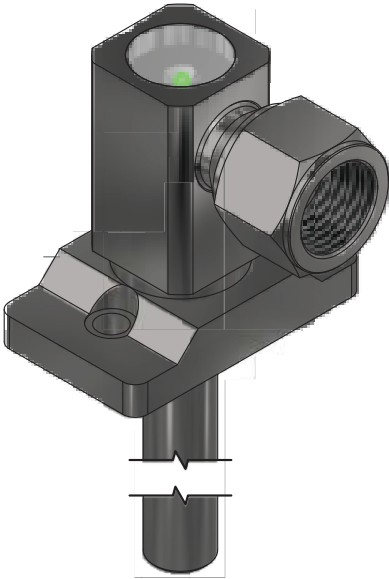
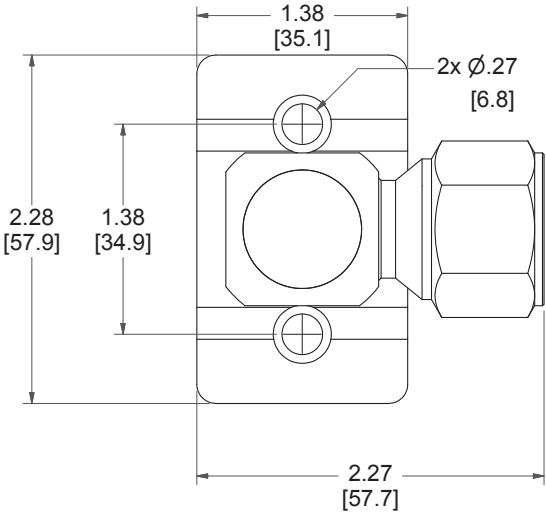


7E-23758-A3

GO™ Switch 70 Series STG

Model	2.062" probe length
Contact Form	SPST, form A, bi-color LED indication
Sensing Range	0.090" end sensing
Outlet Position	Side entry, 1/2" NPT conduit
Enclosure Material	Stainless steel, 3000 PSI
Area Classification	UL General Purpose
Wiring Option	PVC Lead Wires - 6ft
Custom Field	



Type 4X  
 0°C ≤ Ta ≤ 40°C  
 Conduit: 1/2 NPT  
 0.5A @ 125VDC  
 RATED 3,000 PSI  
 PROBE 2.062" (52.37mm)



**Electrol**

www.electrosupply.com  
 sales@electrosupply.com  
 1-800-663-6576