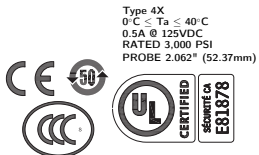
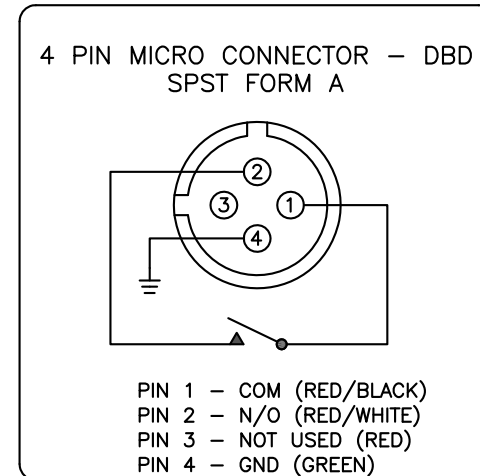


7E-23657-DBD

GO™ Switch 70 Series STG

Model	2.062" probe length
Contact Form	SPST, form A, bi-color LED indication
Sensing Range	0.090" end sensing
Outlet Position	Side entry, for QDC
Enclosure Material	Stainless steel, 3000 PSI
Area Classification	cUL General Purpose
Wiring Option	QDC, micro, 4 pin
Custom Field	



www.electrosupply.com
 sales@electrosupply.com
 1-800-663-6576