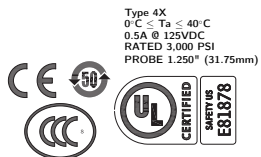
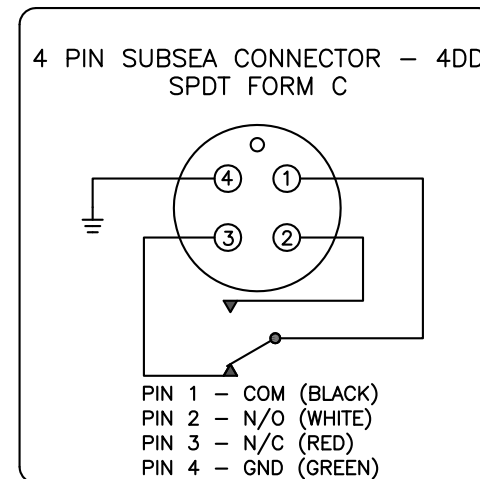


7D-43858-4DD

GO™ Switch 70 Series STG

Model	1.250" probe length
Contact Form	SPDT, no indication
Sensing Range	0.090" end sensing
Outlet Position	Top outlet, SubSea only
Enclosure Material	Stainless steel, 3000 PSI
Area Classification	UL General Purpose
Wiring Option	QDC, SubSea, 4 pin
Custom Field	



www.electrosupply.com  
sales@electrosupply.com  
1-800-663-6576