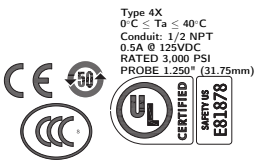
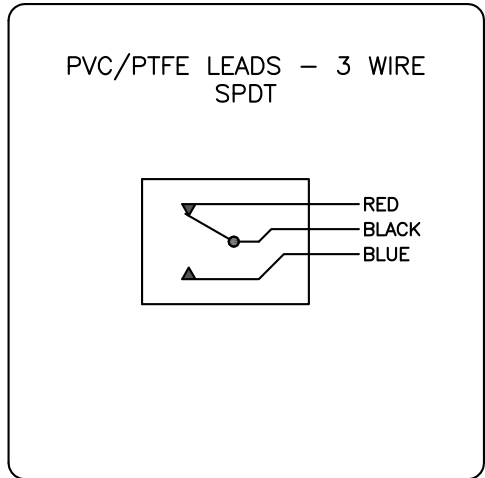


7D-43758-A2

GO™ Switch 70 Series STG

Model	1.250" probe length
Contact Form	SPDT, no indication
Sensing Range	0.090" end sensing
Outlet Position	Side entry, 1/2" NPT conduit
Enclosure Material	Stainless steel, 3000 PSI
Area Classification	UL General Purpose
Wiring Option	PVC Lead Wires - 3ft
Custom Field	



Electrol www.electrosupply.com
sales@electrosupply.com
 1-800-663-6576