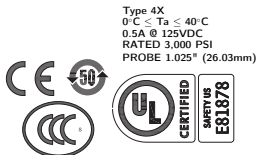
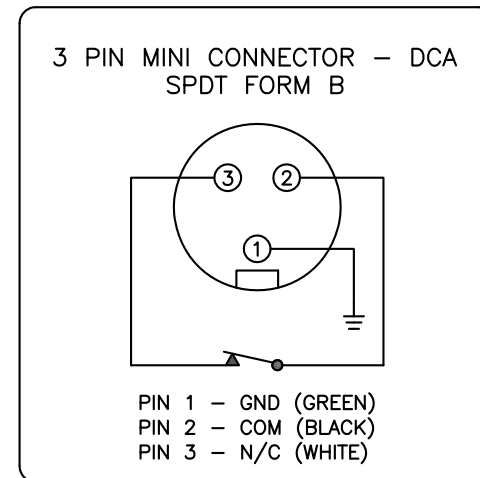


7C-33658-DCA

GO™ Switch 70 Series STG

Model	1.025" probe length
Contact Form	SPST, form B, bi-color LED indication
Sensing Range	0.090" end sensing
Outlet Position	Side entry, for QDC
Enclosure Material	Stainless steel, 3000 PSI
Area Classification	UL General Purpose
Wiring Option	QDC, mini, 3 pin
Custom Field	



www.electrosupply.com
sales@electrosupply.com
1-800-663-6576