

MODEL NUMBER

77-13568-4DD

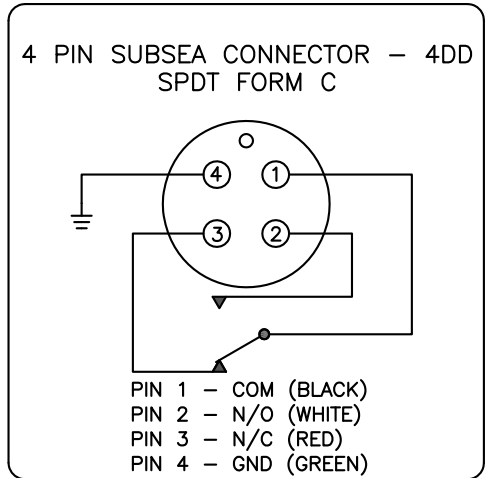
PRODUCT LINE

GO™ Switch 70 Series Hex Head

SPECIFICATIONS

Model	77 Model
Contact Form	SPDT
Sensing Range	0.100" end sensing
Outlet Position	Bottom of enclosure
Enclosure Material	316L Stainless Steel
Area Classification	UL General Purpose
Wiring Option	QDC, SubSea, 4 pin
Regional Certification	No Regional Certification
Custom Field	

WIRING DIAGRAM



NAMEPLATE



Type 4X
 120VAC/4A; 24VDC/3A
 Conduit: 1/2 NPT



www.electrosupply.com
 sales@electrosupply.com
 1-800-663-6576