

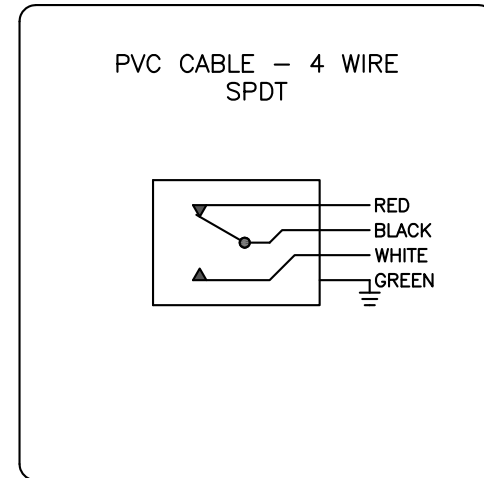
MODEL 75: 5/8-18
MODEL 75M: M18-1



75-13566-B2

GO™ Switch 70 Series Hex Head

Model	75 Model
Contact Form	SPDT
Sensing Range	0.100" end sensing
Outlet Position	Bottom of enclosure
Enclosure Material	316L Stainless Steel
Area Classification	cUL Cl I, Div 2
Wiring Option	PVC cable, 3ft
Regional Certification	No Regional Certification
Custom Field	



Class I, Division 2, Groups A,B,C,D; Type 4X
Class II, Division 2, Groups F,G; Class III
120VAC/4A; 24VDC/3A
Conduit: 1/2 NPT - Lead Seal Required



www.electrosupply.com
sales@electrosupply.com
1-800-663-6576