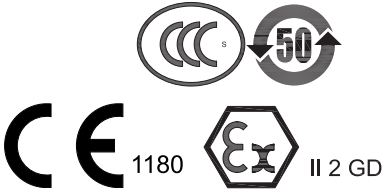
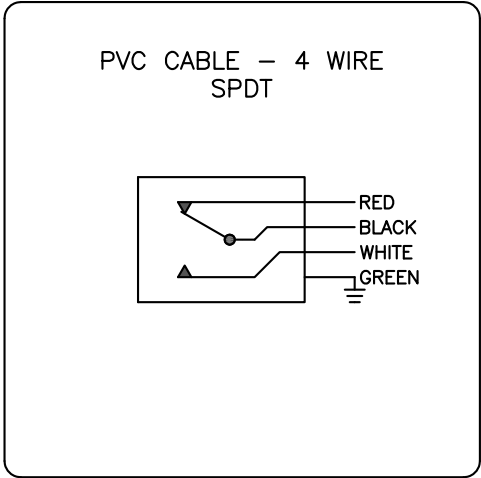
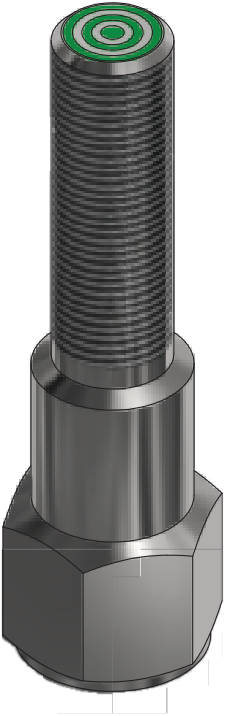
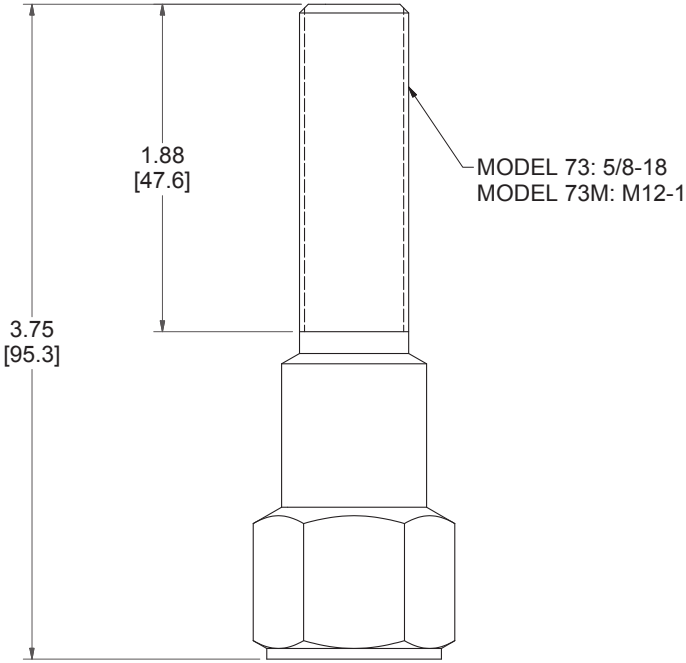
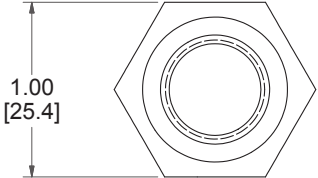


73M-1356T-B4

GO™ Switch 70 Series Hex Head

Model	73M Model
Contact Form	SPDT
Sensing Range	0.100" end sensing
Outlet Position	Bottom of enclosure
Enclosure Material	316L Stainless Steel
Area Classification	ATEX/IECEX Zone 1, Exdb
Wiring Option	PVC cable, 12ft
Regional Certification	No Regional Certification
Custom Field	



Ex db IIC T6 Gb
 Ex tb IIIC T85°C Db
 -40°C ≤ Ta ≤ 50°C; IP66
 120VAC/4A; 24VDC/3A
 Conduit: M20 - Hermetically Sealed
 Baseefa 08ATEX0360X IECEX BAS 08.0122X



www.electrosupply.com
 sales@electrosupply.com
 1-800-663-6576