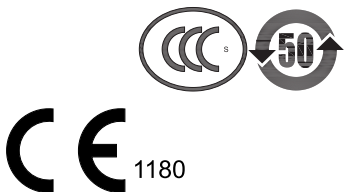
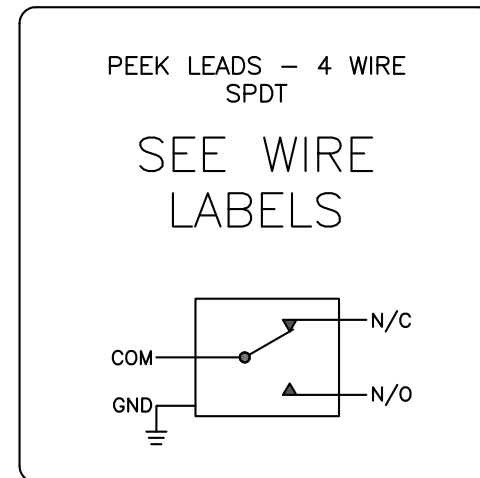




73-1356N-H2

GO™ Switch 70 Series Hex Head

Model	73 Model
Contact Form	SPDT
Sensing Range	0.100" end sensing
Outlet Position	Bottom of enclosure
Enclosure Material	316L Stainless Steel
Area Classification	NEPSI Exdb
Wiring Option	HiTemp leads, PEEK, 3ft
Regional Certification	No Regional Certification
Custom Field	



120VAC/4A; 24VDC/3A
Conduit: 1/2 NPT



www.electrosupply.com
sales@electrosupply.com
1-800-663-6576