



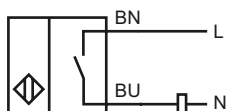
Model Number

40FY36-030

Features

- Hall Effect Sensor
- Door Interrupt Sensor
- Tamper resistant magnetic actuator

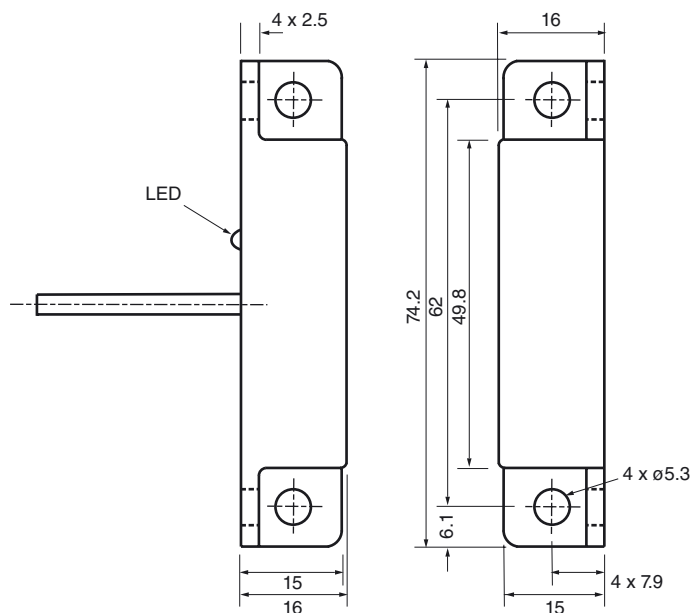
Connection



Accessories

- 41FY1**
Magnetic Actuation
- 41FY2**
Magnetic Actuation

Dimensions



Technical Data

General specifications

Switching element function	AC	NO
Rated operating distance	s_n	Use either 41FY1 - 6.4 - 15.2 mm or 41FY2 - 7.6 - 19 mm
Installation	not embeddable	
Output polarity	AC	

Nominal ratings

Operating voltage	U_B	93 ... 132 V AC
Hysteresis	H	5 ... 25 %
Short-circuit protection	NO	
Voltage drop	U_d	6 V at 500 mA
Momentary current (20 ms, 0.1 Hz)	1.2 A	
Repeat accuracy	+/- 3 %	
Operating current	I_L	≤ 500 mA
Off-state current	I_r	≤ 1.5 mA

Indicators/operating means

LED indicator	switching state
---------------	-----------------

Electrical specifications

Electrical rating	93 - 132 V AC
-------------------	---------------

Ambient conditions

Ambient temperature	-30 ... 85 °C (-22 ... 185 °F)
---------------------	--------------------------------

Mechanical specifications

Connection type	cable PVC , 3 m
Core cross-section	0.34 mm ²
Housing material	PBT
Sensing face	PBT
Protection degree	IP67