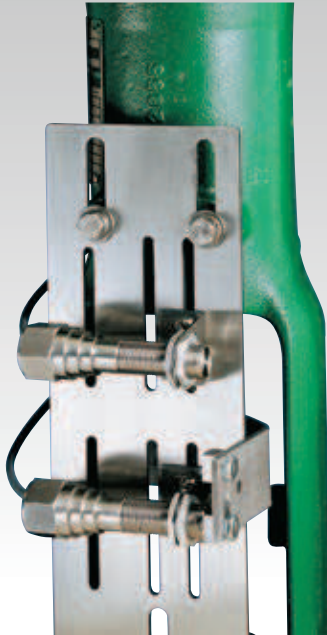


A Magnum hermetically-sealed proximity switch in a stainless steel enclosure which is certified explosionproof. Double encapsulated in an epoxy resin and shock absorbent polymer.



#### Features

- Available with SPDT or DPDT switches.
- Standard 6 m lead allows remote mounting if required.
- Cable marked as appliance wiring material UL758.
- Rhodium contact option for use with low power I/O's for longer contact life.
- Highly resistant to shock and vibration stresses, chemical and environmental exposure.

#### Technical data

##### Agency approvals

Area classification (ATEX/IEC)	Ex II 2 GD Ex d IIC T* Gb Ex tb IIIC T* D6 IP6X
Enclosure standards (IEC)	IP66/67 (with suitable glanding) IPx8 (with suitable glanding)

##### Switches

Magnum, SPDT hermetically sealed switches  
Magnum, DPDT hermetically sealed switches

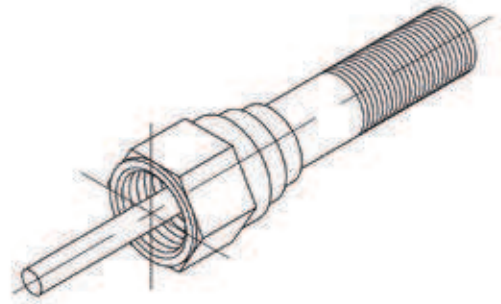
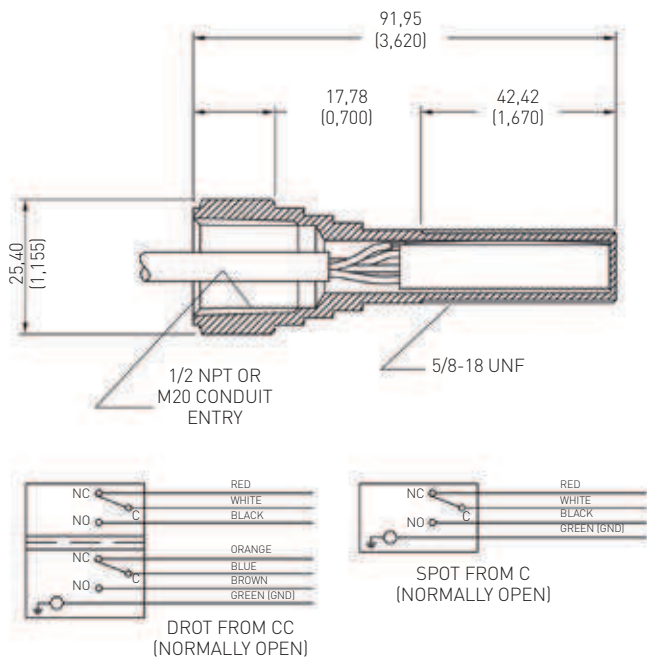
##### Enclosure

Stainless steel

# AccuTrak™ 316 Silver Bullet

Explosionproof Linear Position Sensor - ATEX/IEC

## Dimensions



Dimensions in metric, imperial dimensions (inches) in parenthesis

## Maintenance

All Silver Bullets are bolted to heavy duty stainless steel brackets. Sensor triggering is accomplished by stainless steel encapsulated ferromagnetic actuators. Eventually, as valve seats wear, a slight re-adjustment of position sensors becomes necessary.

## Technical specifications

Enclosure	316 stainless steel
Temp. range	-40°C to +104°C (-40°F to +220°F)
Operating time	3.0 ms
Repeatability	0.13 mm (0.005 inch)
Hysteresis	0.76 mm (0.030 inch)
Hermetic seal	Glass (vacuum)
Sensing	2.54 mm (0.100 inch) end sensing
<b>Electrical rating</b>	
Tungsten	SPDT Form C (normally open)
	3 A / 120 V AC
	1.5 A / 240 V AC
Rhodium	2 A / 24 V DC
	SPDT Form C (normally open)
	1 A / 24 V DC
	0.20 A / 120 V AC
<b>Cable</b>	
Wire diameter	18AWG
Jacket diameter SPDT switch	6.1 mm +/- 0.25 mm (0.239 inch +/- 0.010 inch)
Jacket diameter DPDT switch	9.1 mm +/- 0.25 mm (0.360 inch +/- 0.010 inch )
Appliance wiring material	UL758

## Notes

### Hazardous area classification

Please see our data sheet for further information on the global standards affecting the specification and installation of equipment in hazardous areas.

<b>Base model</b>	
316SB	Silver Bullet position sensor
<b>Switch design</b>	
S	Single Pole Double Throw
D	Double Pole Double Throw
<b>Contact material</b>	
T	Tungsten
R	Rhodium
<b>Conduit</b>	
M	M20 x 1.5 - Approved to ATEX & IECEX
N	1/2" -14 NPT - Approved to ATEX, IECEX & c UL us
<b>Length of Flying Lead</b>	
XXX	Flying Lead Length in metres
020	6.00 metres
<b>Special Feature</b>	
AAA	Standard
XXX	Special variants

**Example Code: 316SB-STM-020-AAA** = 316 Silver Bullet, SPDT, Tungsten contacts, M20 conduit, 6 m flying lead & standard build.

**US/Canada: Saddle Brook, NJ**

Ph: +1 201 794 7650  
 Fax: +1 201 794 0913  
 E-mail: [westlockinfo@westlockcontrols.com](mailto:westlockinfo@westlockcontrols.com)

**South America: Sao Paulo, Brazil**

Ph: +55 11 2588 1400  
 Fax: +55 11 2588 1410  
 E-mail: [comercial@westlock.com.br](mailto:comercial@westlock.com.br)

**Europe: Kent, England**

Ph: +44 1892 516277  
 Fax: +44 1892 707620  
 E-mail: [sales@westlockuk.com](mailto:sales@westlockuk.com)

**Asia: Singapore**

Ph: +65 6768 5850  
 E-mail: [sales@westlockuk.com](mailto:sales@westlockuk.com)