

MODEL NUMBER

31-17527-DCD

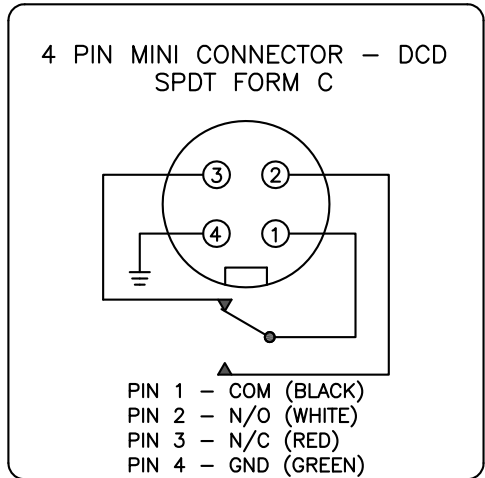
PRODUCT LINE

GO™ Switch Model 31

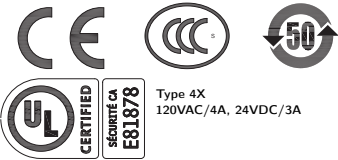
SPECIFICATIONS

Model	31 Model
Contact Form	SPDT (Form C)
Sensing Range	Approx. 1/4" end sensing
Outlet Position	1/2"-14NPT conduit hub bottom
Enclosure Material	Stainless steel
Area Classification	cUL General Purpose
Wiring Options	4-pin mini QDC
Regional Certification	No regional certification
Custom Field	

WIRING DIAGRAM



NAMEPLATE



COUNTRY OF ORIGIN US

Model #:

Serial #:



www.electrosupply.com
sales@electrosupply.com
1-800-663-6576