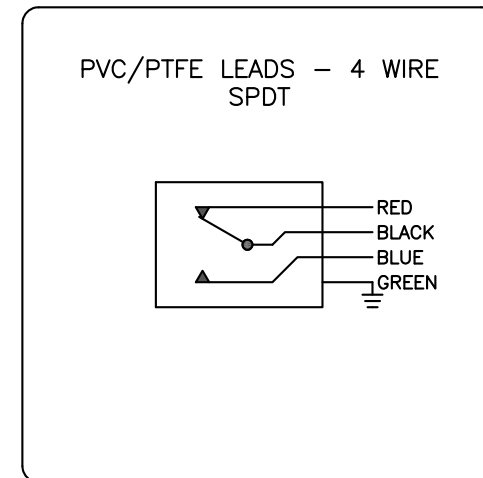


21-17524-A4

GO™ Switch 10/20 Series

Model	21 Model
Contact Form	SPDT (Form C)
Sensing Range	Precision approx. 1/4" side
Outlet Position	Bottom of enclosure
Enclosure Material	Stainless steel
Area Classification	CSA/FM Cl I, Div 1
Wiring Options	12ft PVC lead wire
Regional Certification	No regional certification
Custom Field	



CL I DIV 1, GRPS A,B,C,D; CL II DIV 1, GRPS E,F,G; CL III;  
 T<sub>1</sub>:T<sub>2</sub> - 50°C = T<sub>3</sub> = 60°C/100°C  
 ELECTRICAL RATING: 120VAC/10A, 24VDC/3A RESISTIVE; 480VAC/240VDC MAX  
 LEAD SEAL IS REQUIRED WITHIN 16" OF ENCLOSURE.

Model #:

Serial #:



www.electrosupply.com  
 sales@electrosupply.com  
 1-800-663-6576