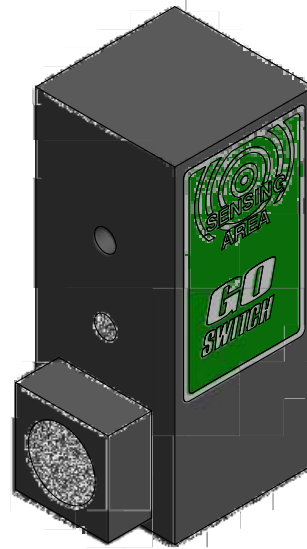
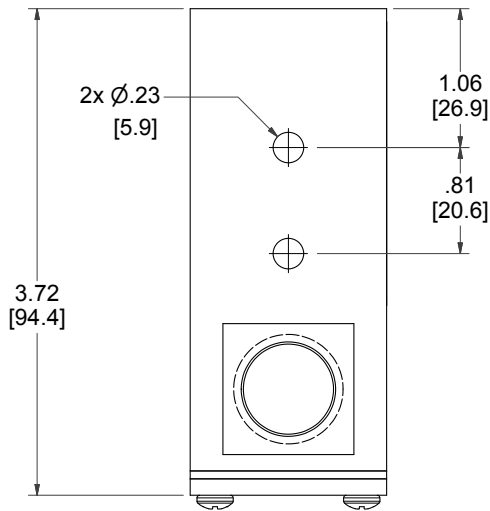


SENSING FACE



MODEL NUMBER

21-17210-00

PRODUCT LINE

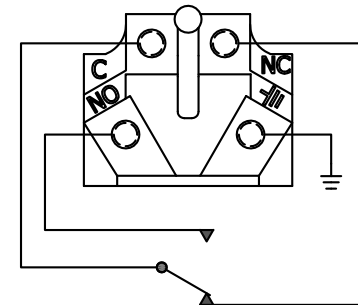
GO™ Switch 10/20 Series

SPECIFICATIONS

Model	21 Model
Contact Form	SPDT (Form C)
Sensing Range	Precision approx. 1/4" side
Outlet Position	Left of sensing area
Enclosure Material	Brass w/flat black lacquer
Area Classification	CSA/FM CI I, Div 2
Wiring Options	Terminal block - 1/2" NPT
Regional Certification	No regional certification
Custom Field	

WIRING DIAGRAM

10/20 SERIES TERMINAL
SPDT FORM C



NAMEPLATE



CL I DIV 2, GRPS A,B,C,D; CL II DIV 1, GRPS E,F,G; CL III:
T₁:T₄ - 50°C = T₅ = 60°C/100°C
ELECTRICAL RATING: 120VAC/10A, 24VDC/3A RESISTIVE; 480VAC/240VDC MAX
LEAD SEAL IS REQUIRED WITHIN 18" OF ENCLOSURE.
CAUTION: KEEP COVER TIGHT WHILE CIRCUITS ARE LIVE.

Model #: Serial #:



www.electrosupply.com
sales@electrosupply.com
1-800-663-6576