

MODEL NUMBER

21-11348-00

PRODUCT LINE

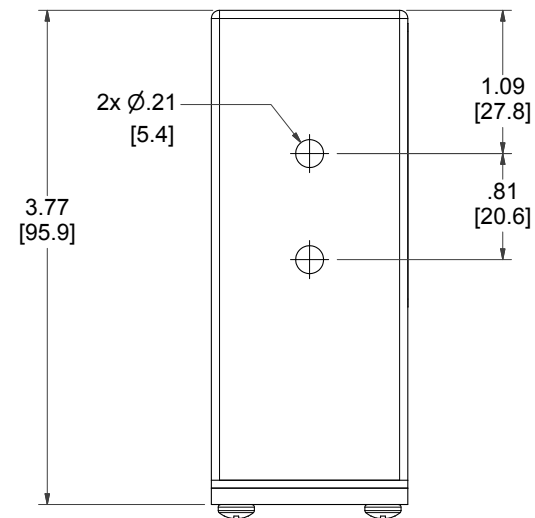
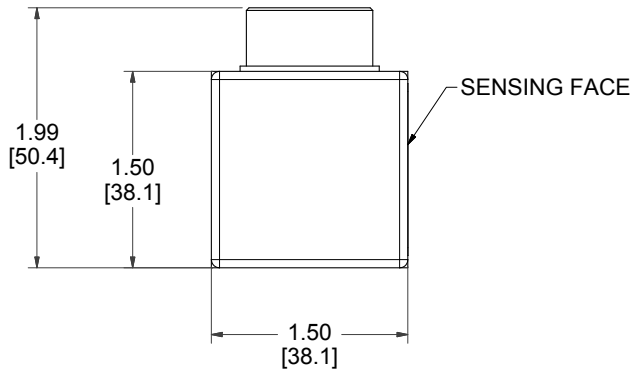
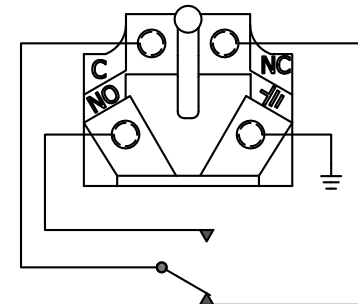
GO™ Switch 10/20 Series

SPECIFICATIONS

| | |
|------------------------|--------------------------------|
| Model | 21 Model |
| Contact Form | SPDT (Form C) |
| Sensing Range | Standard approx. 3/8" side |
| Outlet Position | Right of sensing area |
| Enclosure Material | Stainless steel w/polyurethane |
| Area Classification | UL General Purpose |
| Wiring Options | Terminal block - 1/2" NPT |
| Regional Certification | No regional certification |
| Custom Field | |

WIRING DIAGRAM

10/20 SERIES TERMINAL
SPDT FORM C



NAMEPLATE



TYPE 4X
ELECTRICAL RATING: 120VAC/10A, 24VDC/3A RESISTIVE; 480VAC/240VDC MAX
CAUTION: KEEP COVER TIGHT WHILE CIRCUITS ARE LIVE.

Model #:

Serial #:



www.electrosupply.com
sales@electrosupply.com
1-800-663-6576