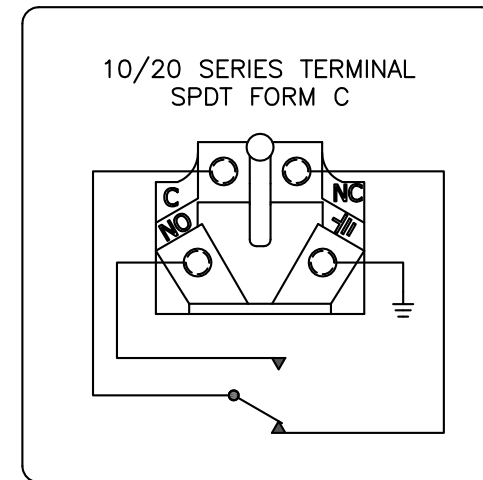
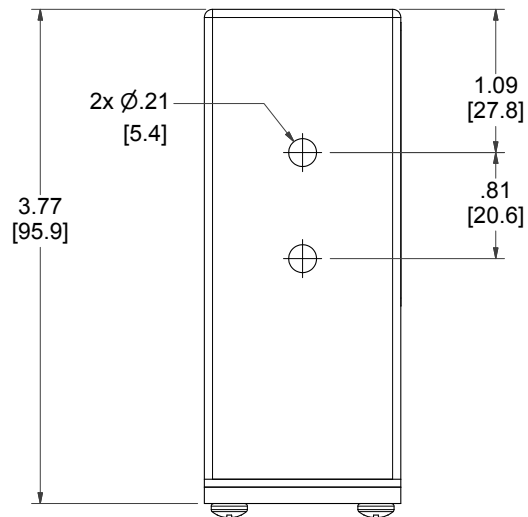
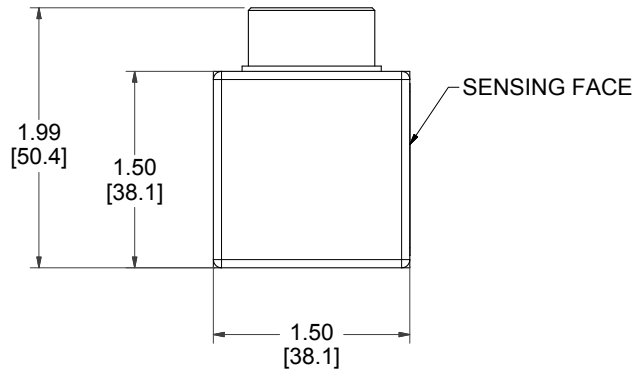


21-11328-00

GO™ Switch 10/20 Series

Model	21 Model
Contact Form	SPDT (Form C)
Sensing Range	Standard approx. 3/8" side
Outlet Position	Right of sensing area
Enclosure Material	Stainless steel
Area Classification	UL General Purpose
Wiring Options	Terminal block - 1/2" NPT
Regional Certification	No regional certification
Custom Field	



COUNTRY OF ORIGIN US

TYPE 4X  
ELECTRICAL RATING: 120VAC/10A, 24VDC/3A RESISTIVE; 480VAC/240VDC MAX  
CAUTION: KEEP COVER TIGHT WHILE CIRCUITS ARE LIVE.

Model #:

Serial #:

**GO**  
SWITCH

**Electrol**

www.electrosupply.com  
sales@electrosupply.com  
1-800-663-6576