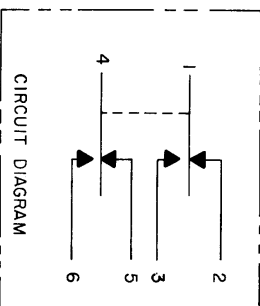
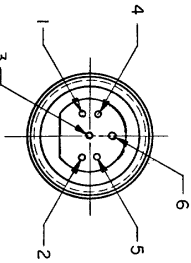
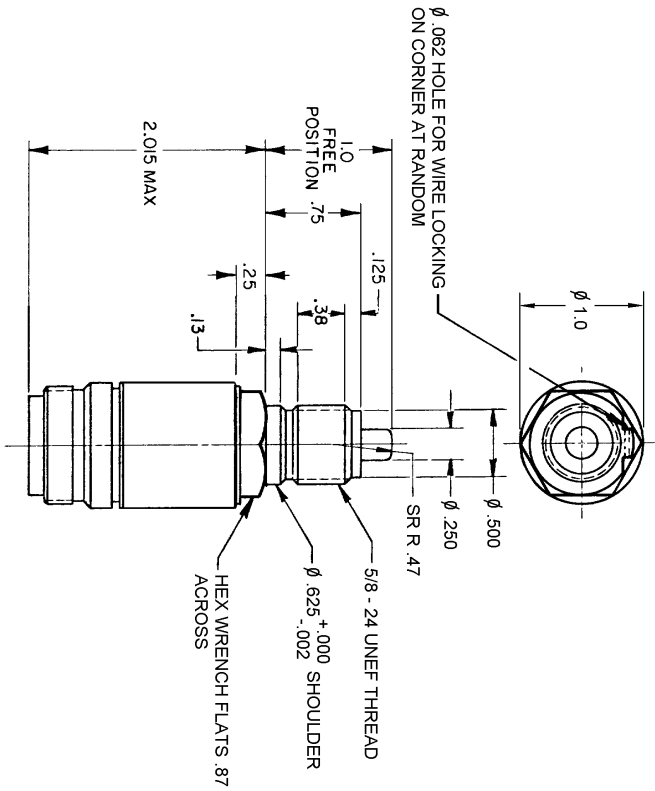


MICRO SWITCH
 PREPARED BY ILLINOIS U.S.A.
 A DIVISION OF HONEYWELL
 FED. MFG. CODE 91929

SWITCH - ENCLOSED

CATALOG LISTING
1EN107-R

FURNISHED UNDER U.S. GOVERNMENT CONTRACT NO. _____ AND NO PORTION HEREOF SHALL BE RELEASED OUTSIDE THE GOVERNMENT (EXCEPT TO FOREIGN GOVERNMENTS SUBJECT TO THE SAME LIMITATIONS) NOR BE DISCLOSED, USED, OR DUPLICATED FOR PROCUREMENT OR MANUFACTURING PURPOSES EXCEPT AS OTHERWISE AUTHORIZED BY CONTRACT BETWEEN THE GOVERNMENT AND MICRO SWITCH, A DIVISION OF HONEYWELL INC. WITHOUT THE PERMISSION OF THE LATTER. THIS LEGEND SHALL BE MARKED ON ANY REPRODUCTION HEREOF IN WHOLE OR IN PART.



ANSI Y14.5M-1982 APPLIES

THIS DRAWING COVERS A PROPRIETARY ITEM AND IS THE PROPERTY OF MICRO SWITCH. NO PART OF THIS DRAWING IS TO BE REPRODUCED OR TRANSMITTED IN ANY FORM OR BY ANY MEANS WITHOUT THE WRITTEN PERMISSION OF MICRO SWITCH.

CHARACTERISTICS

OPERATING FORCE --- 6-12 LB
 FULL TRAVEL FORCE --- 30 LB MAX
 RELEASE FORCE --- 4 LB MIN
 PRETRAVEL --- .040 MAX
 DIFFERENTIAL TRAVEL --- .020 MAX
 OVERTRAVEL --- .140 MIN

ELECTRICAL DATA

CONTACT ARRANGEMENT	S P D T (2)	
SEA LEVEL	28 VDC	
RES	4	4
IND	2	2
MOTOR	4	4
UNLESS OTHERWISE SPECIFIED TOLERANCES ARE	ONE PLACE (.01)	± .030
	TWO PLACE (.001)	± .015
	THREE PLACE (.000)	± .005
	ANGLES	±
PARAMETRIC, COMMERCIAL, STANDARD		
INDUSTRY USE TO BE MET HEREIN		
MILITARY AND NAVY STANDARDS APPLY		
PROTECTIVE COATINGS ARE APPLIED		
SCALE	FULL	
DO NOT SCALE PRINT		
WEIGHT	5.0 OZ MAX	

NOTES

- 1 - SWITCH SEALED PER MIL-PRF-8805 SYMBOL 4
- 2 - CIRCUIT DIAGRAM, DATE CODE, FEDERAL MFG. CODE NO. AND CATALOG LISTING 1EN107-R PERMANENTLY MARKED ON SIDE OF HOUSING
- 3 - COINCIDENCE OF OPERATING AND RELEASING POINTS: .010 OF PLUNGER TRAVEL
- 4 - ALL EXPOSED PARTS MONEL
- 5 - CONNECTOR SECTION TO MATE WITH CONNECTOR PER DEPT. OF THE NAVY, BUREAU OF ORDNANCE SCD # 2017223 AND BURTON CONNECTOR 5006-0062