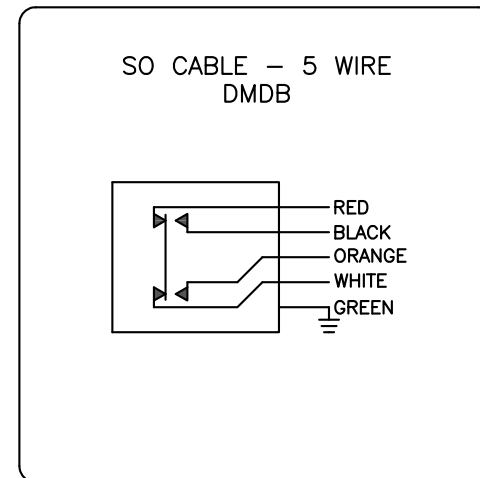


11-61518-B2

GO™ Switch 10/20 Series

Model	11 Model
Contact Form	DMDB, (Form Z) Latching
Sensing Range	Standard approx. 3/8" side
Outlet Position	Bottom of enclosure
Enclosure Material	Brass w/flat black lacquer
Area Classification	UL General Purpose
Wiring Options	3ft PVC cable
Regional Certification	No regional certification
Custom Field	



COUNTRY OF ORIGIN US

TYPE 4X
ELECTRICAL RATING: 120VAC/10A, 24VDC/3A RESISTIVE; 480VAC/240VDC MAX

Model #:

Serial #:



www.electrosupply.com
sales@electrosupply.com
1-800-663-6576