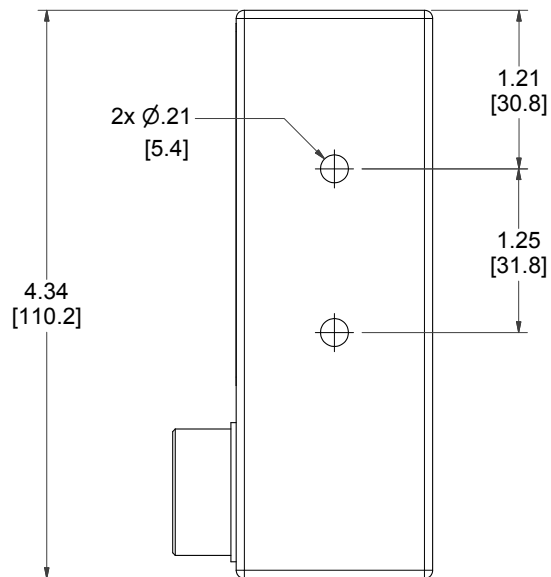


SENSING FACE



MODEL NUMBER

11-61426-A4

PRODUCT LINE

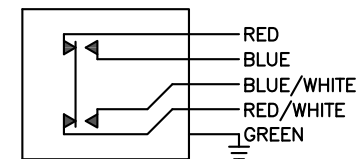
GO™ Switch 10/20 Series

SPECIFICATIONS

Model	11 Model
Contact Form	DMDB, (Form Z) Latching
Sensing Range	Standard approx. 3/8" side
Outlet Position	Same side of sensing area
Enclosure Material	Stainless steel
Area Classification	CSA/FM Cl I, Div 2
Wiring Options	12ft PVC lead wire
Regional Certification	No regional certification
Custom Field	

WIRING DIAGRAM

PVC/PTFE LEADS – 5 WIRE
DMDB



NAMEPLATE



CL I DIV 2, GRPS A,B,C,D; CL II DIV 2, GRPS F,G; Cl III;
T₁:T₂ -30°C - T₃ - 60°C/90°C
ELECTRICAL RATING: 120VAC/10A, 24VDC/3A RESISTIVE; 480VAC/240VDC MAX
LEAD SEAL IS REQUIRED WITHIN 16" OF ENCLOSURE.

Model #:

Serial #:

Electrol

www.electrosupply.com
sales@electrosupply.com
1-800-663-6576