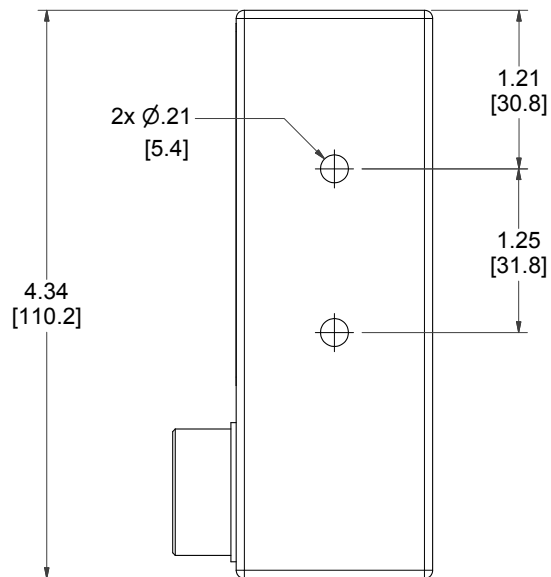


SENSING FACE



MODEL NUMBER

11-61424-A4

PRODUCT LINE

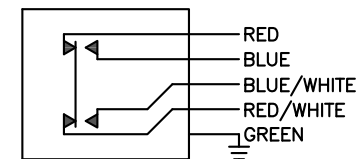
GO™ Switch 10/20 Series

SPECIFICATIONS

Model	11 Model
Contact Form	DMDB, (Form Z) Latching
Sensing Range	Standard approx. 3/8" side
Outlet Position	Same side of sensing area
Enclosure Material	Stainless steel
Area Classification	CSA/FM Cl I, Div 1
Wiring Options	12ft PVC lead wire
Regional Certification	No regional certification
Custom Field	

WIRING DIAGRAM

PVC/PTFE LEADS – 5 WIRE  
DMDB



NAMEPLATE



COUNTRY OF ORIGIN US

CL I DIV 1, GRPS A,B,C,D; CL II DIV 1, GRPS E,F,G; CL III;  
T<sub>1</sub>:T<sub>2</sub> - 50°C - T<sub>3</sub> - 60°C/100°C  
ELECTRICAL RATING: 120VAC/10A, 24VDC/3A RESISTIVE; 480VAC/240VDC MAX  
LEAD SEAL IS REQUIRED WITHIN 16" OF ENCLOSURE.

Model #:

Serial #:



www.electrosupply.com  
sales@electrosupply.com  
1-800-663-6576