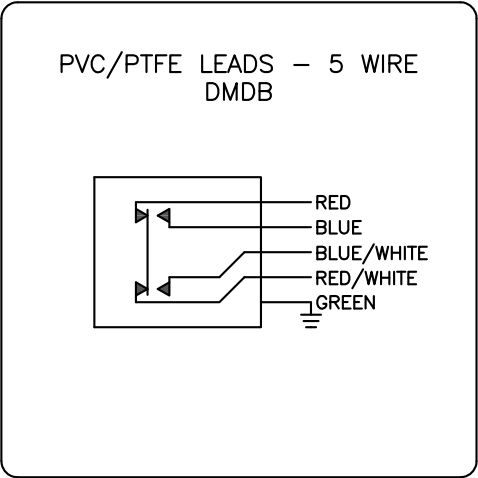
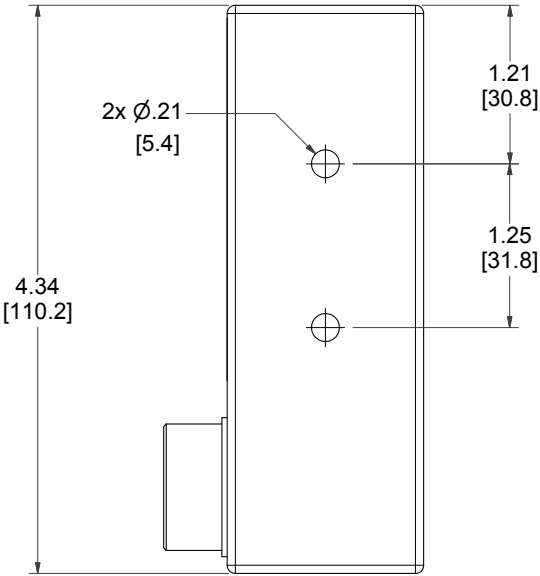
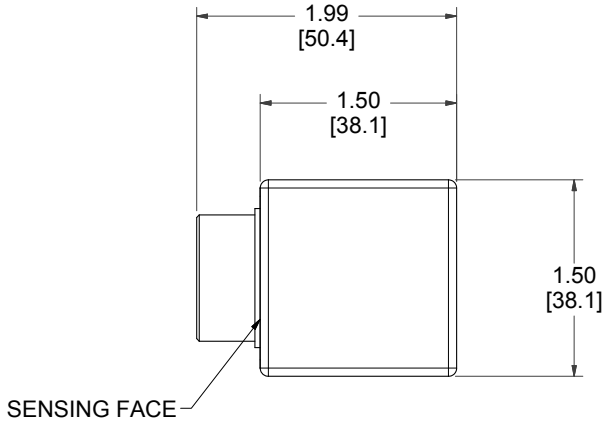


11-61423-A2

GO™ Switch 10/20 Series

Model	11 Model
Contact Form	DMDB, (Form Z) Latching
Sensing Range	Standard approx. 3/8" side
Outlet Position	Same side of sensing area
Enclosure Material	Stainless steel
Area Classification	UL CI I, Div 1
Wiring Options	3ft PVC lead wire
Regional Certification	No regional certification
Custom Field	



CL I DIV 1, GRP5 A,B,C,D; CL II DIV 1, GRP5 E,F,G; CL III, TYPE 4X  
ELECTRICAL RATING: 120VAC/10A, 240VDC/2A RESISTIVE; 480VAC/240VDC MAX  
STD. DUTY PILOT DUTY 120VAC; HEAVY DUTY PILOT DUTY 480VAC  
LEAD SEAL IS REQUIRED WITHIN 18" OF ENCLOSURE.

Model #:

Serial #:



www.electrosupply.com  
sales@electrosupply.com  
1-800-663-6576