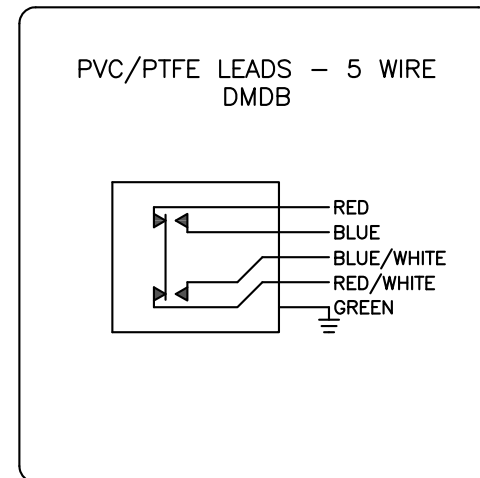




11-51528-A3

GO™ Switch 10/20 Series

Model	11 Model
Contact Form	DMDB, (Form Z)
Sensing Range	Standard approx. 3/8" side
Outlet Position	Bottom of enclosure
Enclosure Material	Stainless steel
Area Classification	UL General Purpose
Wiring Options	6ft PVC lead wire
Regional Certification	No regional certification
Custom Field	



TYPE 4X
ELECTRICAL RATING: 120VAC/10A, 24VDC/3A RESISTIVE; 480VAC/240VDC MAX

Model #:

Serial #:



www.electrosupply.com
sales@electrosupply.com
1-800-663-6576