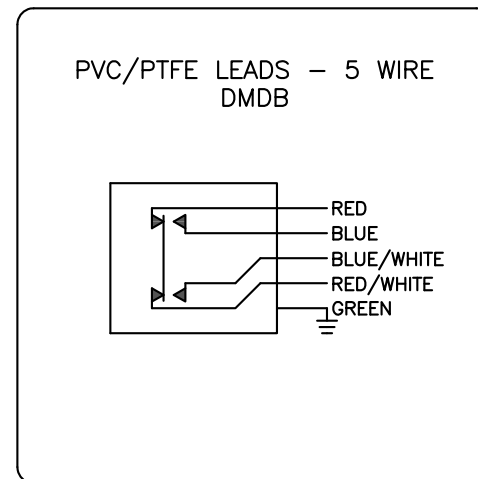




11-51516-A3

GO™ Switch 10/20 Series

|                        |                            |
|------------------------|----------------------------|
| Model                  | 11 Model                   |
| Contact Form           | DMDB, (Form Z)             |
| Sensing Range          | Standard approx. 3/8" side |
| Outlet Position        | Bottom of enclosure        |
| Enclosure Material     | Brass w/flat black lacquer |
| Area Classification    | CSA/FM CI I, Div 2         |
| Wiring Options         | 6ft PVC lead wire          |
| Regional Certification | No regional certification  |
| Custom Field           |                            |



CL I DIV 2, GRPS A,B,C,D; CL II DIV 2, GRPS F,G; CI III;  
T<sub>1</sub>:T<sub>2</sub> - 50°C → T<sub>3</sub> = 60°C/100°C  
ELECTRICAL RATING: 120VAC/10A, 24VDC/3A RESISTIVE; 480VAC/240VDC MAX  
LEAD SEAL IS REQUIRED WITHIN 16" OF ENCLOSURE.

Model #:

Serial #:



www.electrosupply.com  
sales@electrosupply.com  
1-800-663-6576