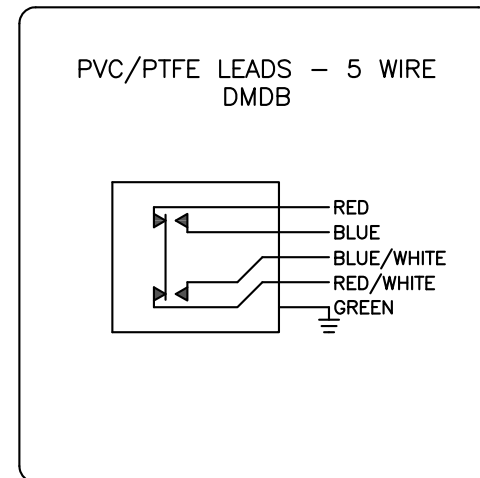


11-51228-A4

GO™ Switch 10/20 Series

Model	11 Model
Contact Form	DMDB, (Form Z)
Sensing Range	Standard approx. 3/8" side
Outlet Position	Left of sensing area
Enclosure Material	Stainless steel
Area Classification	UL General Purpose
Wiring Options	12ft PVC lead wire
Regional Certification	No regional certification
Custom Field	



TYPE 4X  
ELECTRICAL RATING: 120VAC/10A, 24VDC/3A RESISTIVE; 480VAC/240VDC MAX

Model #:

Serial #:



www.electrosupply.com  
sales@electrosupply.com  
1-800-663-6576