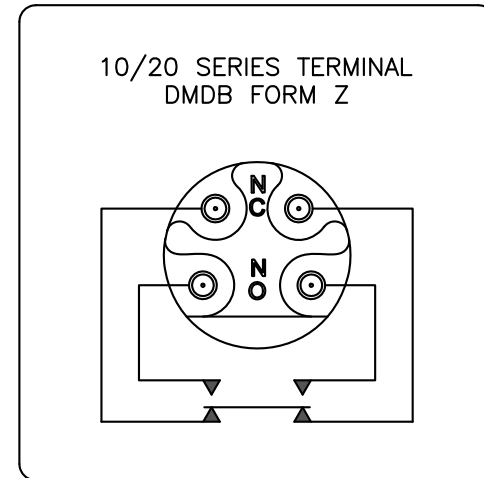


11-51228-00

GO™ Switch 10/20 Series

|                        |                            |
|------------------------|----------------------------|
| Model                  | 11 Model                   |
| Contact Form           | DMDB, (Form Z)             |
| Sensing Range          | Standard approx. 3/8" side |
| Outlet Position        | Left of sensing area       |
| Enclosure Material     | Stainless steel            |
| Area Classification    | UL General Purpose         |
| Wiring Options         | Terminal block - 1/2" NPT  |
| Regional Certification | No regional certification  |
| Custom Field           |                            |



TYPE 4X  
ELECTRICAL RATING: 120VAC/10A, 24VDC/3A RESISTIVE; 480VAC/240VDC MAX  
CAUTION: KEEP COVER TIGHT WHILE CIRCUITS ARE LIVE.

Model #:

Serial #:

**Electrol** [www.electrosupply.com](http://www.electrosupply.com)  
[sales@electrosupply.com](mailto:sales@electrosupply.com)  
 1-800-663-6576