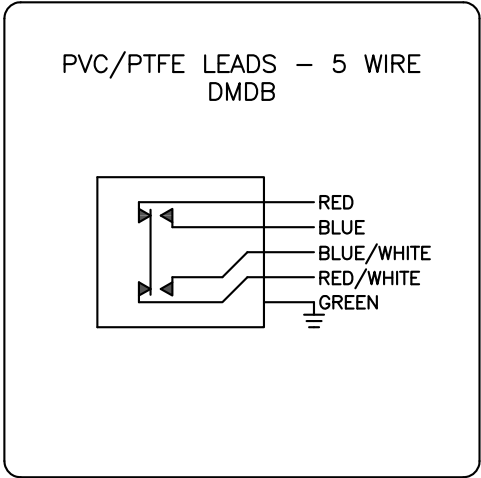
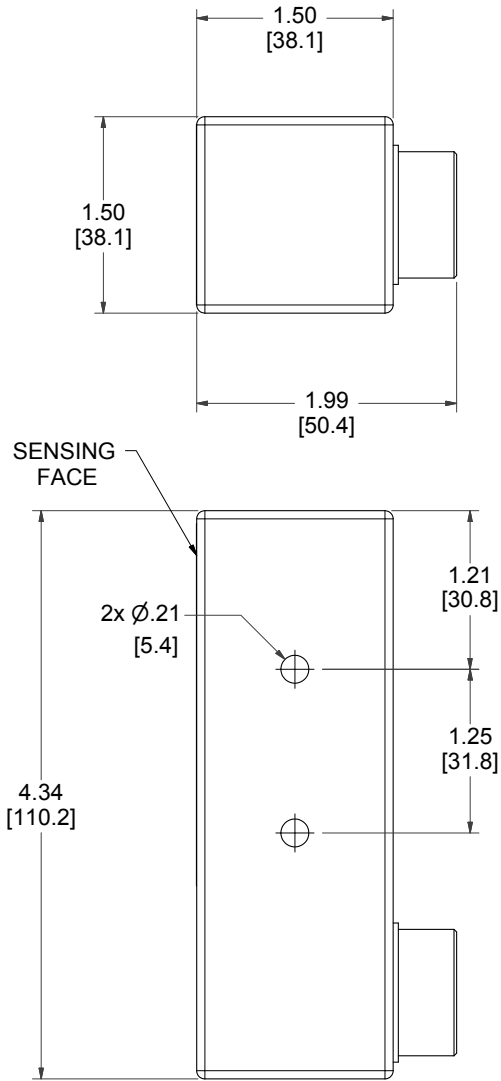


11-51124-A3

GO™ Switch 10/20 Series

| | |
|------------------------|----------------------------|
| Model | 11 Model |
| Contact Form | DMDB, (Form Z) |
| Sensing Range | Standard approx. 3/8" side |
| Outlet Position | Behind sensing area |
| Enclosure Material | Stainless steel |
| Area Classification | CSA/FM Cl I, Div 1 |
| Wiring Options | 6ft PVC lead wire |
| Regional Certification | No regional certification |
| Custom Field | |



CL I DIV 1, GRPS A,B,C,D; CL II DIV 1, GRPS E,F,G; CL III;
 T₁:T₂ - 50°C = T₃ = 60°C/90°C
 ELECTRICAL RATING: 120VAC/10A, 24VDC/3A RESISTIVE; 480VAC/240VDC MAX
 LEAD SEAL IS REQUIRED WITHIN 16" OF ENCLOSURE.

Model #:

Serial #:



www.electrosupply.com
 sales@electrosupply.com
 1-800-663-6576