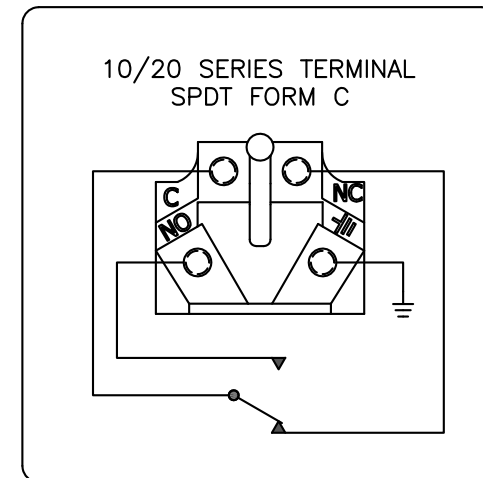


11-32510-00M

GO™ Switch 10/20 Series

Model	11 Model
Contact Form	SPDT (Form C) Latching
Sensing Range	Extended approx. 9/16" side
Outlet Position	Bottom of enclosure
Enclosure Material	Brass w/flat black lacquer
Area Classification	CSA/FM Cl I, Div 2
Wiring Options	Terminal block - M20 conduit
Regional Certification	No regional certification
Custom Field	



CL I DIV 2, GRPS A,B,C,D; CL II DIV 1, GRPS E,F,G; CL III;
 T₁:T₂ - 50°C = T₃ = 60°C/100°C
 ELECTRICAL RATING: 120VAC/10A, 24VDC/3A RESISTIVE; 480VAC/240VDC MAX
 LEAD SEAL IS REQUIRED WITHIN 18" OF ENCLOSURE.
 CAUTION: KEEP COVER TIGHT WHILE CIRCUITS ARE LIVE.

Model #:

Serial #:



www.electrosupply.com
 sales@electrosupply.com
 1-800-663-6576