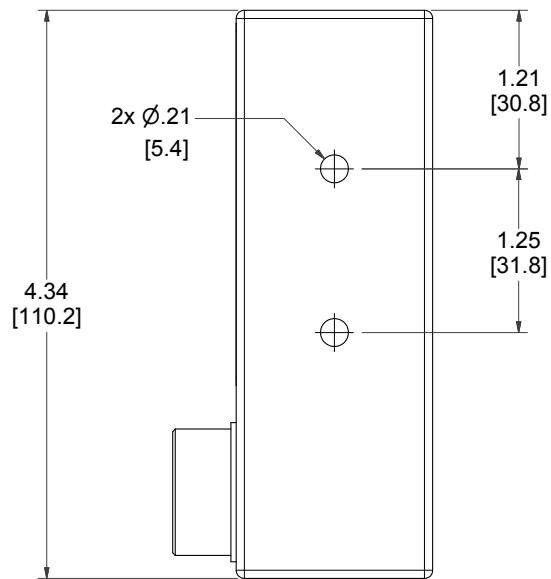


SENSING FACE



MODEL NUMBER

11-32427-A3

PRODUCT LINE

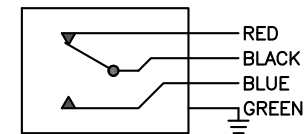
GO™ Switch 10/20 Series

SPECIFICATIONS

Model	11 Model
Contact Form	SPDT (Form C) Latching
Sensing Range	Extended approx. 9/16" side
Outlet Position	Same side of sensing area
Enclosure Material	Stainless steel
Area Classification	cUL General Purpose
Wiring Options	6ft PVC lead wire
Regional Certification	No regional certification
Custom Field	

WIRING DIAGRAM

PVC/PTFE LEADS - 4 WIRE  
SPDT



NAMEPLATE



TYPE 4X  
ELECTRICAL RATING: 120VAC/10A, 24VDC/3A RESISTIVE; 480VAC/240VDC MAX

Model #:

Serial #:



www.electrosupply.com  
sales@electrosupply.com  
1-800-663-6576