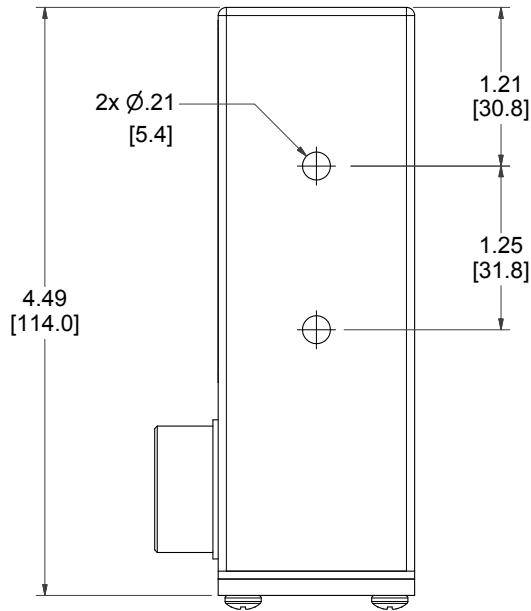


SENSING FACE



MODEL NUMBER

11-32427-00

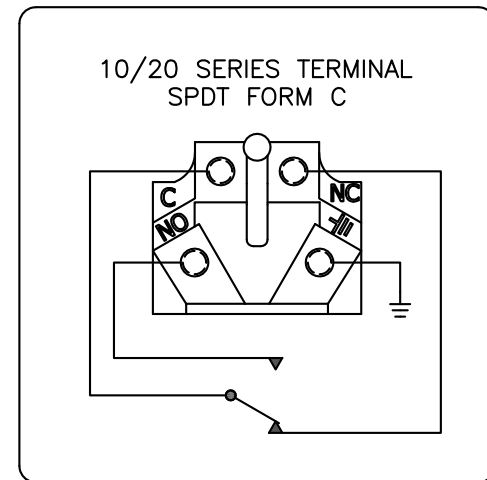
PRODUCT LINE

GO™ Switch 10/20 Series

SPECIFICATIONS

Model	11 Model
Contact Form	SPDT (Form C) Latching
Sensing Range	Extended approx. 9/16" side
Outlet Position	Same side of sensing area
Enclosure Material	Stainless steel
Area Classification	cUL General Purpose
Wiring Options	Terminal block - 1/2" NPT
Regional Certification	No regional certification
Custom Field	

WIRING DIAGRAM



NAMEPLATE



TYPE 4X  
ELECTRICAL RATING: 120VAC/10A, 240VDC/3A RESISTIVE; 480VAC/240VDC MAX  
CAUTION: KEEP COVER TIGHT WHILE CIRCUITS ARE LIVE.

Model #:

Serial #:



www.electrosupply.com  
sales@electrosupply.com  
1-800-663-6576