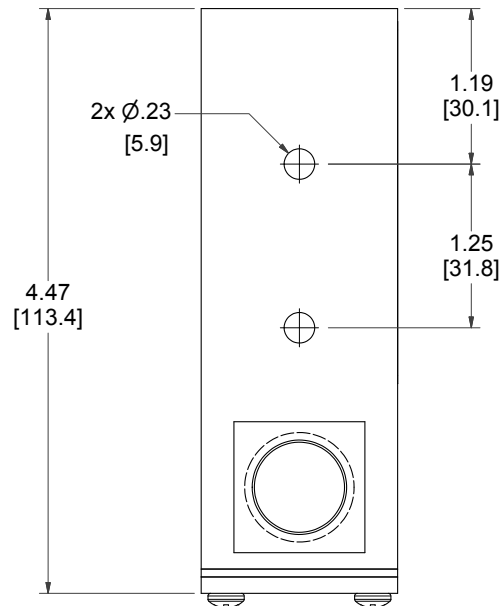


SENSING FACE



MODEL NUMBER

11-31210-00

PRODUCT LINE

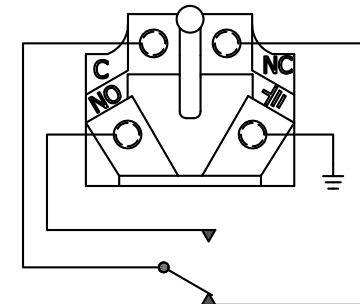
GO™ Switch 10/20 Series

SPECIFICATIONS

Model	11 Model
Contact Form	SPDT (Form C) Latching
Sensing Range	Standard approx. 3/8" side
Outlet Position	Left of sensing area
Enclosure Material	Brass w/flat black lacquer
Area Classification	CSA/FM CI I, Div 2
Wiring Options	Terminal block - 1/2" NPT
Regional Certification	No regional certification
Custom Field	

WIRING DIAGRAM

10/20 SERIES TERMINAL  
SPDT FORM C



NAMEPLATE



CL I DIV 2, GRPS A,B,C,D; CL II DIV 1, GRPS E,F,G; CL III:  
T<sub>1</sub>:T<sub>4</sub> - 50°C = T<sub>5</sub> = 60°C/100°C  
ELECTRICAL RATING: 120VAC/10A, 24VDC/3A RESISTIVE; 480VAC/240VDC MAX  
LEAD SEAL IS REQUIRED WITHIN 18" OF ENCLOSURE.  
CAUTION: KEEP COVER TIGHT WHILE CIRCUITS ARE LIVE.

Model #:

Serial #:



www.electrosupply.com  
sales@electrosupply.com  
1-800-663-6576