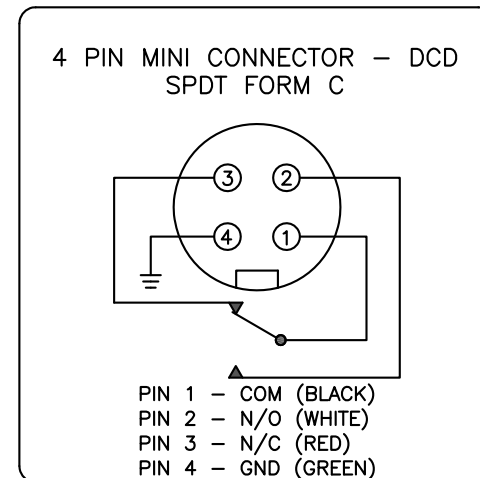


11-12538-DCD

GO™ Switch 10/20 Series

Model	11 Model
Contact Form	SPDT (Form C)
Sensing Range	Extended approx. 9/16" side
Outlet Position	Bottom of enclosure
Enclosure Material	Brass w/polyurethane
Area Classification	UL General Purpose
Wiring Options	4 pin mini QDC
Regional Certification	No regional certification
Custom Field	



TYPE 4X  
ELECTRICAL RATING: 120VAC/10A, 24VDC/3A RESISTIVE; 480VAC/240VDC MAX

Model #:

Serial #:



www.electrosupply.com  
sales@electrosupply.com  
1-800-663-6576