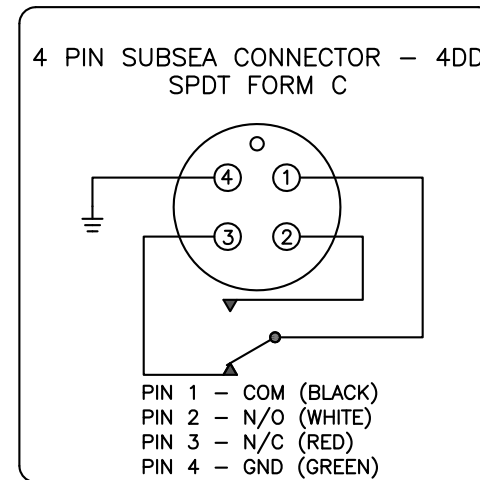


11-12527-4DD

GO™ Switch 10/20 Series

Model	11 Model
Contact Form	SPDT (Form C)
Sensing Range	Extended approx. 9/16" side
Outlet Position	Bottom of enclosure
Enclosure Material	Stainless steel
Area Classification	cUL General Purpose
Wiring Options	4 pin SubSea
Regional Certification	No regional certification
Custom Field	



TYPE 4X
ELECTRICAL RATING: 120VAC/10A, 24VDC/3A RESISTIVE; 480VAC/240VDC MAX

Model #:

Serial #:

GO
SWITCH

Electrol

www.electrosupply.com
sales@electrosupply.com
1-800-663-6576