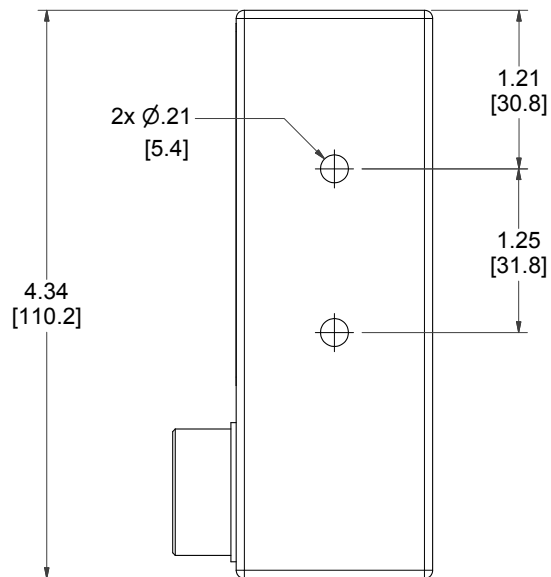


SENSING FACE



MODEL NUMBER

11-12423-A4

PRODUCT LINE

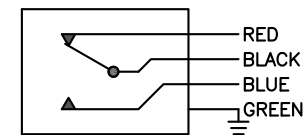
GO™ Switch 10/20 Series

SPECIFICATIONS

|                        |                             |
|------------------------|-----------------------------|
| Model                  | 11 Model                    |
| Contact Form           | SPDT (Form C)               |
| Sensing Range          | Extended approx. 9/16" side |
| Outlet Position        | Same side of sensing area   |
| Enclosure Material     | Stainless steel             |
| Area Classification    | UL CI I, Div 1              |
| Wiring Options         | 12ft PVC lead wire          |
| Regional Certification | No regional certification   |
| Custom Field           |                             |

WIRING DIAGRAM

PVC/PTFE LEADS - 4 WIRE  
SPDT



NAMEPLATE



CL I DIV 1, GRP5 A,B,C,D; CL II DIV 1, GRP5 E,F,G; CL III, TYPE 4X  
ELECTRICAL RATING: 120VAC/10A, 240VAC/2A RESISTIVE; 480VAC/240VDC MAX  
STD. DUTY PILOT DUTY 120VAC; HEAVY DUTY PILOT DUTY 480VAC  
LEAD SEAL IS REQUIRED WITHIN 18" OF ENCLOSURE.

Model #:

Serial #:



www.electrosupply.com  
sales@electrosupply.com  
1-800-663-6576