

**MODEL NUMBER**

11-12130-00

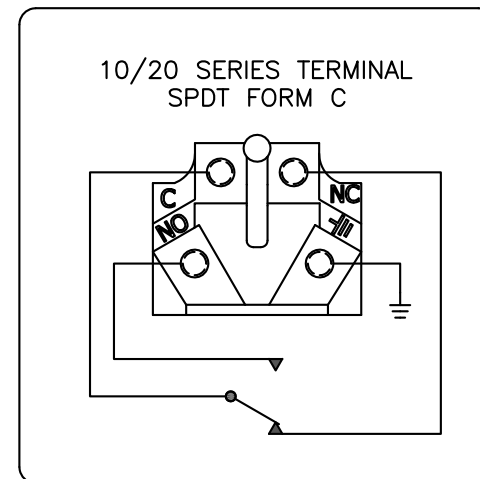
**PRODUCT LINE**

GO™ Switch 10/20 Series

**SPECIFICATIONS**

Model	11 Model
Contact Form	SPDT (Form C)
Sensing Range	Extended approx. 9/16" side
Outlet Position	Behind sensing area
Enclosure Material	Brass w/polyurethane
Area Classification	CSA/FM CI I, Div 2
Wiring Options	Terminal block - 1/2" NPT
Regional Certification	No regional certification
Custom Field	

**WIRING DIAGRAM**



**NAMEPLATE**



CL I DIV 2, GRPS A,B,C,D; CL II DIV 1, GRPS E,F,G; CL III;  
 Tg:Ta - 50°C - Ts: 60°C/100°C  
 ELECTRICAL RATING: 120VAC/10A, 24VDC/3A RESISTIVE; 480VAC/240VDC MAX  
 LEAD SEAL IS REQUIRED WITHIN 18" OF ENCLOSURE.  
 CAUTION: KEEP COVER TIGHT WHILE CIRCUITS ARE LIVE.

Model #:

Serial #:



www.electrosupply.com  
 sales@electrosupply.com  
 1-800-663-6576