



MODEL NUMBER

11-12128-F2

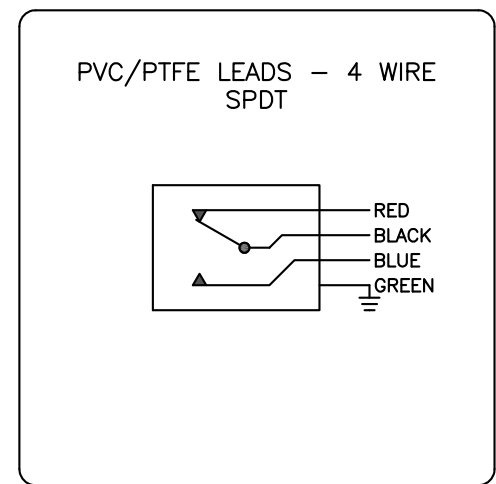
PRODUCT LINE

GO™ Switch 10/20 Series

SPECIFICATIONS

Model	11 Model
Contact Form	SPDT (Form C)
Sensing Range	Extended approx. 9/16" side
Outlet Position	Behind sensing area
Enclosure Material	Stainless steel
Area Classification	UL General Purpose
Wiring Options	3ft Teflon lead wire
Regional Certification	No regional certification
Custom Field	

WIRING DIAGRAM



NAMEPLATE



COUNTRY OF ORIGIN US
 TYPE 4X
 ELECTRICAL RATING: 120VAC/10A, 24VDC/3A RESISTIVE; 480VAC/240VDC MAX

Model #: Serial #:



www.electrosupply.com
 sales@electrosupply.com
 1-800-663-6576