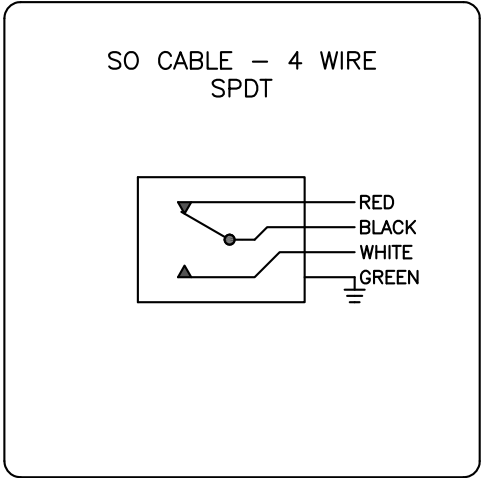
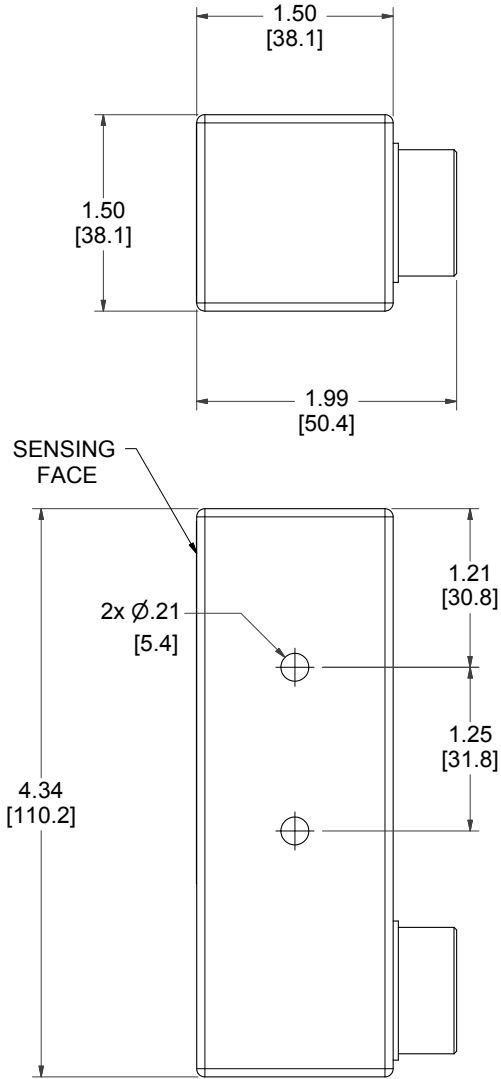


11-12124-B30

GO™ Switch 10/20 Series

Model	11 Model
Contact Form	SPDT (Form C)
Sensing Range	Extended approx. 9/16" side
Outlet Position	Behind sensing area
Enclosure Material	Stainless steel
Area Classification	CSA/FM Cl I, Div 1
Wiring Options	6ft PVC cable
Regional Certification	No regional certification
Custom Field	



CL I DIV 1, GRPS A,B,C,D; CL II DIV 1, GRPS E,F,G; CL III;
 T₁:T₂ - 50°C - T₃ : 60°C/90°C
 ELECTRICAL RATING: 120VAC/10A, 24VDC/3A RESISTIVE; 480VAC/240VDC MAX
 LEAD SEAL IS REQUIRED WITHIN 16" OF ENCLOSURE.

Model #:

Serial #:



Electrol

www.electrosupply.com
 sales@electrosupply.com
 1-800-663-6576