



MODEL NUMBER

11-12123-A20

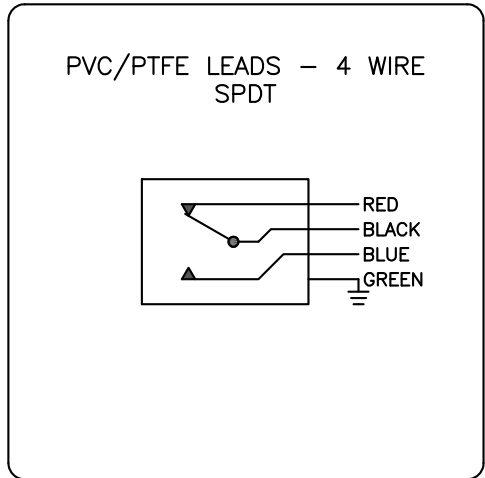
PRODUCT LINE

GO™ Switch 10/20 Series

SPECIFICATIONS

Model	11 Model
Contact Form	SPDT (Form C)
Sensing Range	Extended approx. 9/16" side
Outlet Position	Behind sensing area
Enclosure Material	Stainless steel
Area Classification	UL CI I, Div 1
Wiring Options	3ft PVC lead wire
Regional Certification	No regional certification
Custom Field	

WIRING DIAGRAM



NAMEPLATE



CL I DIV 1, GRPS A,B,C,D; CL II DIV 1, GRPS E,F,G; CL III, TYPE 4X
 ELECTRICAL RATING: 120VAC/10A, 240VAC/2A RESISTIVE; 480VAC/240VDC MAX
 STD. DUTY PILOT DUTY 120VAC; HEAVY DUTY PILOT DUTY 480VAC
 LEAD SEAL IS REQUIRED WITHIN 18" OF ENCLOSURE.

Model #: Serial #:



www.electrosupply.com
 sales@electrosupply.com
 1-800-663-6576