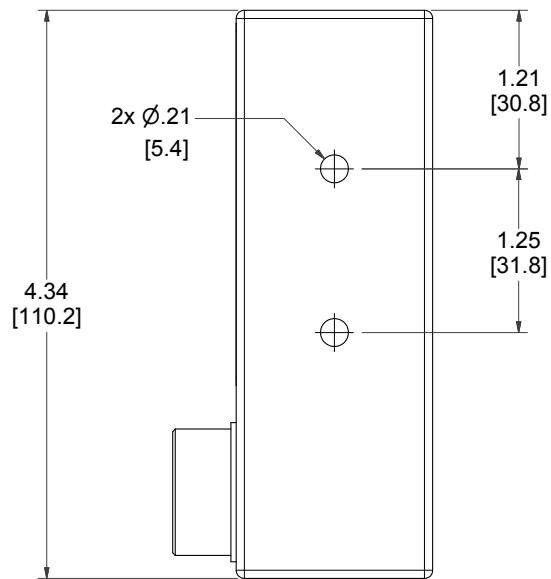


SENSING FACE



**MODEL NUMBER**

11-11423-A3

**PRODUCT LINE**

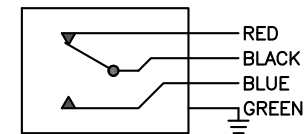
GO™ Switch 10/20 Series

**SPECIFICATIONS**

|                        |                            |
|------------------------|----------------------------|
| Model                  | 11 Model                   |
| Contact Form           | SPDT (Form C)              |
| Sensing Range          | Standard approx. 3/8" side |
| Outlet Position        | Same side of sensing area  |
| Enclosure Material     | Stainless steel            |
| Area Classification    | UL CI I, Div 1             |
| Wiring Options         | 6ft PVC lead wire          |
| Regional Certification | No regional certification  |
| Custom Field           |                            |

**WIRING DIAGRAM**

PVC/PTFE LEADS - 4 WIRE  
SPDT



**NAMEPLATE**



CL I DIV 1, GRP5 A,B,C,D; CL II DIV 1, GRP5 E,F,G; CL III, TYPE 4X  
ELECTRICAL RATING: 120VAC/10A, 240VAC/2A RESISTIVE; 480VAC/240VDC MAX  
STD. DUTY PILOT DUTY 120VAC; HEAVY DUTY PILOT DUTY 480VAC  
LEAD SEAL IS REQUIRED WITHIN 18" OF ENCLOSURE.

Model #:

Serial #:



www.electrosupply.com  
sales@electrosupply.com  
1-800-663-6576