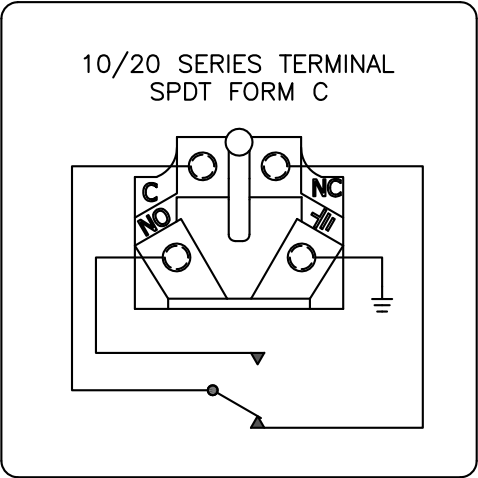
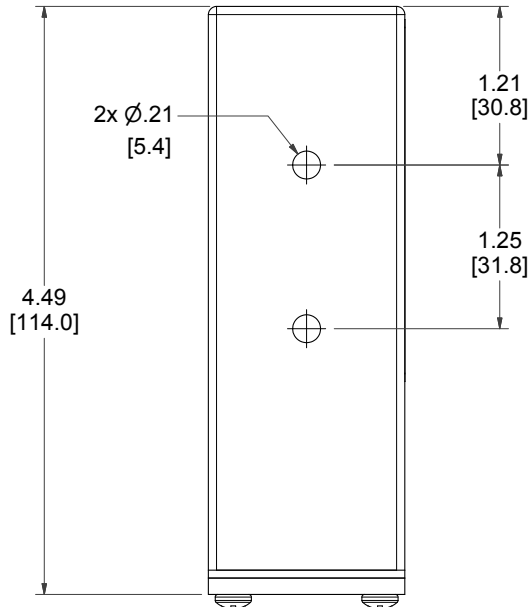
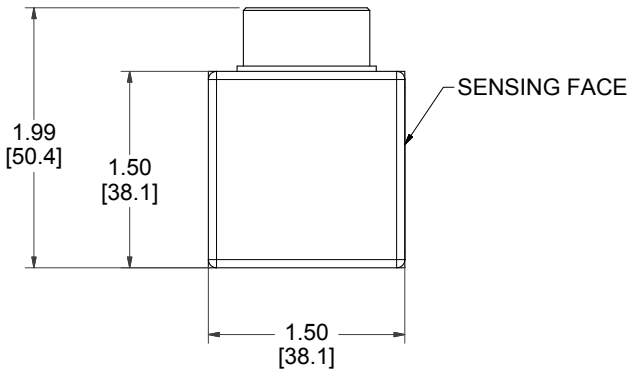


11-11328-00M

GO™ Switch 10/20 Series

Model	11 Model
Contact Form	SPDT (Form C)
Sensing Range	Standard approx. 3/8" side
Outlet Position	Right of sensing area
Enclosure Material	Stainless steel
Area Classification	UL General Purpose
Wiring Options	Terminal block - M20 conduit
Regional Certification	No regional certification
Custom Field	



TYPE 4X
 ELECTRICAL RATING: 120VAC/10A, 24VDC/3A RESISTIVE; 480VAC/240VDC MAX
 CAUTION: KEEP COVER TIGHT WHILE CIRCUITS ARE LIVE.

Model #:

Serial #:



www.electrosupply.com
 sales@electrosupply.com
 1-800-663-6576