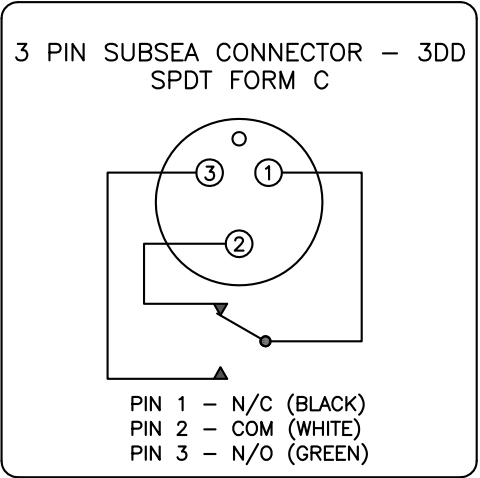
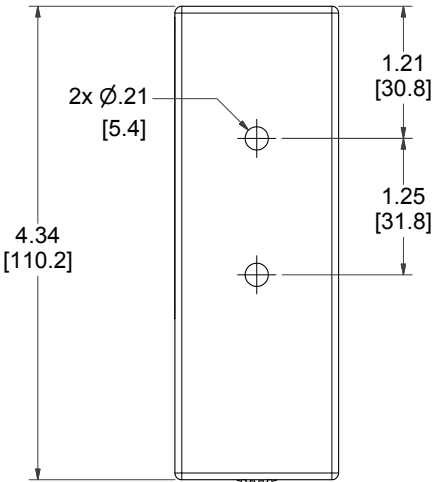
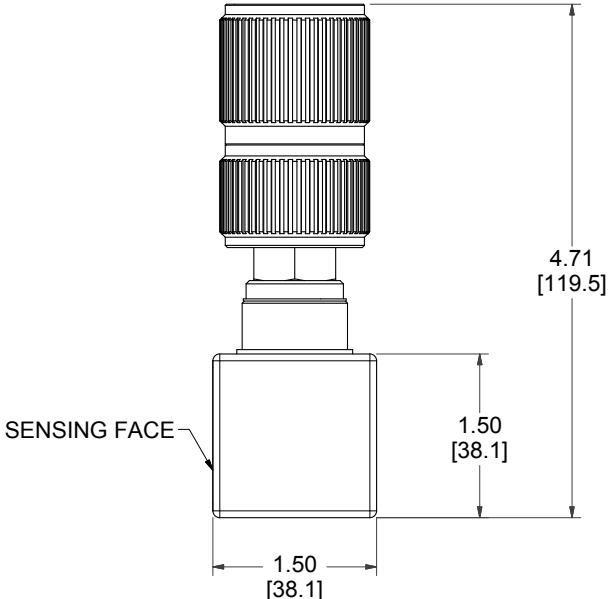


11-11248-3DD

GO™ Switch 10/20 Series

Model	11 Model
Contact Form	SPDT (Form C)
Sensing Range	Standard approx. 3/8" side
Outlet Position	Left of sensing area
Enclosure Material	Stainless steel w/polyurethane
Area Classification	UL General Purpose
Wiring Options	3 pin SubSea
Regional Certification	No regional certification
Custom Field	



TYPE 4X
ELECTRICAL RATING: 120VAC/10A, 24VDC/3A RESISTIVE; 480VAC/240VDC MAX

Model #:

Serial #:



www.electrosupply.com
sales@electrosupply.com
1-800-663-6576