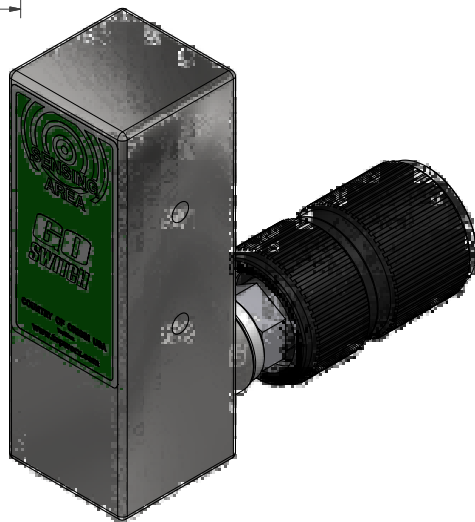
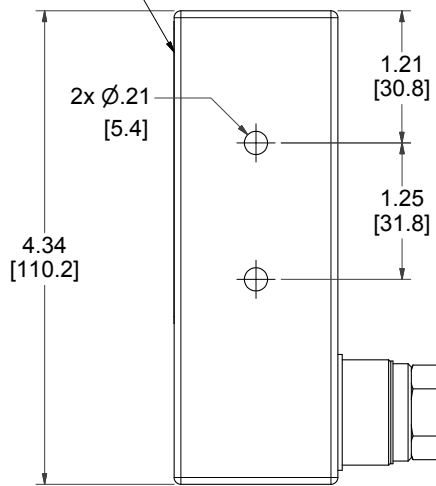


SENSING
FACE



MODEL NUMBER

11-11127-4DD

PRODUCT LINE

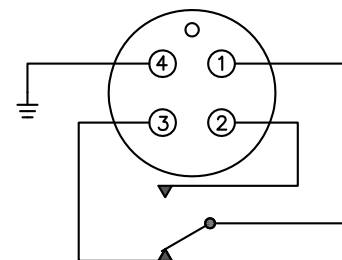
GO™ Switch 10/20 Series

SPECIFICATIONS

Model	11 Model
Contact Form	SPDT (Form C)
Sensing Range	Standard approx. 3/8" side
Outlet Position	Behind sensing area
Enclosure Material	Stainless steel
Area Classification	cUL General Purpose
Wiring Options	4 pin SubSea
Regional Certification	No regional certification
Custom Field	

WIRING DIAGRAM

4 PIN SUBSEA CONNECTOR — 4DD
SPDT FORM C



PIN 1 — COM (BLACK)
PIN 2 — N/O (WHITE)
PIN 3 — N/C (RED)
PIN 4 — GND (GREEN)

NAMEPLATE



TYPE 4X
ELECTRICAL RATING: 120VAC/10A, 24VDC/3A RESISTIVE; 480VAC/240VDC MAX

Model #:

Serial #:



www.electrosupply.com
sales@electrosupply.com
1-800-663-6576