



MODEL NUMBER

11-11124-A2

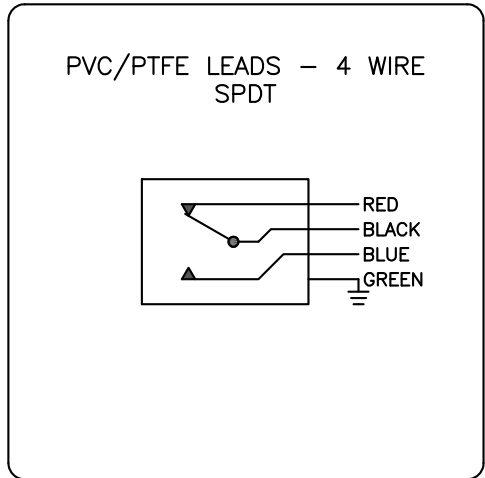
PRODUCT LINE

GO™ Switch 10/20 Series

SPECIFICATIONS

Model	11 Model
Contact Form	SPDT (Form C)
Sensing Range	Standard approx. 3/8" side
Outlet Position	Behind sensing area
Enclosure Material	Stainless steel
Area Classification	CSA/FM Cl I, Div 1
Wiring Options	3ft PVC lead wire
Regional Certification	No regional certification
Custom Field	

WIRING DIAGRAM



NAMEPLATE



CL I DIV 1, GRPS A,B,C,D; CL II DIV 1, GRPS E,F,G; CL III;
 T₁:T₂ - 50°C - T₃ - 60°C/100°C
 ELECTRICAL RATING: 120VAC/10A, 24VDC/3A RESISTIVE; 480VAC/240VDC MAX
 LEAD SEAL IS REQUIRED WITHIN 16" OF ENCLOSURE.

Model #: Serial #:



www.electrosupply.com
 sales@electrosupply.com
 1-800-663-6576