

**MODEL NUMBER**

11-11117-00

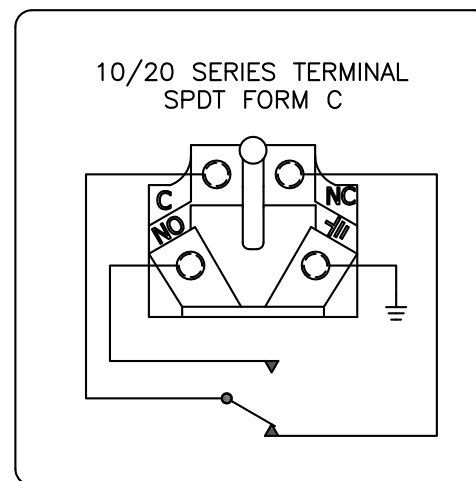
**PRODUCT LINE**

GO™ Switch 10/20 Series

**SPECIFICATIONS**

|                        |                            |
|------------------------|----------------------------|
| Model                  | 11 Model                   |
| Contact Form           | SPDT (Form C)              |
| Sensing Range          | Standard approx. 3/8" side |
| Outlet Position        | Behind sensing area        |
| Enclosure Material     | Brass w/flat black lacquer |
| Area Classification    | cUL General Purpose        |
| Wiring Options         | Terminal block - 1/2" NPT  |
| Regional Certification | No regional certification  |
| Custom Field           |                            |

**WIRING DIAGRAM**



**NAMEPLATE**



TYPE 4X  
ELECTRICAL RATING: 120VAC/10A, 24VDC/3A RESISTIVE; 480VAC/240VDC MAX  
CAUTION: KEEP COVER TIGHT WHILE CIRCUITS ARE LIVE.

Model #:

Serial #:



www.electrosupply.com  
sales@electrosupply.com  
1-800-663-6576